



# EXHAUST FAN

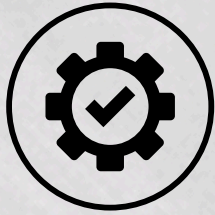
**ONEX**<sup>®</sup>



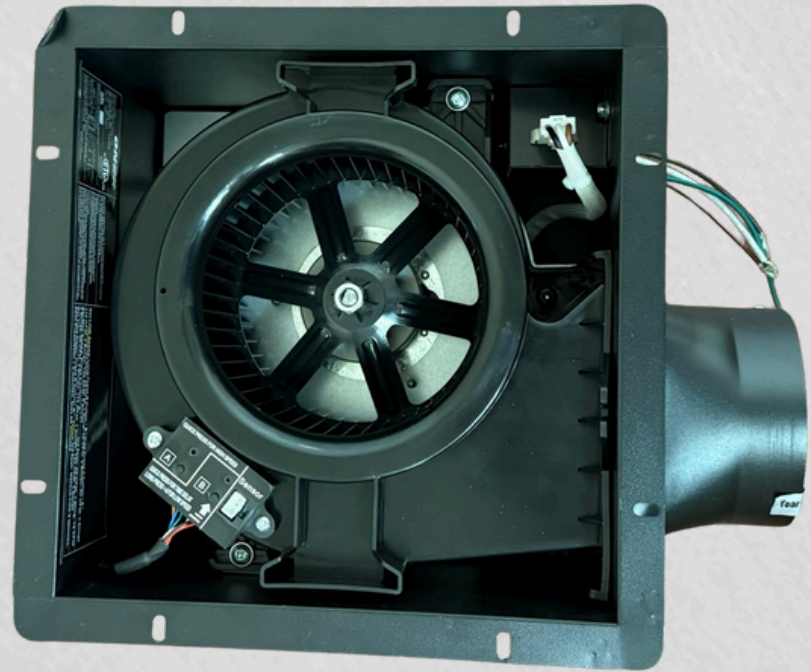
**EASY TO INSTALL  
EXHAUST FAN**

**ONEX<sup>®</sup>**





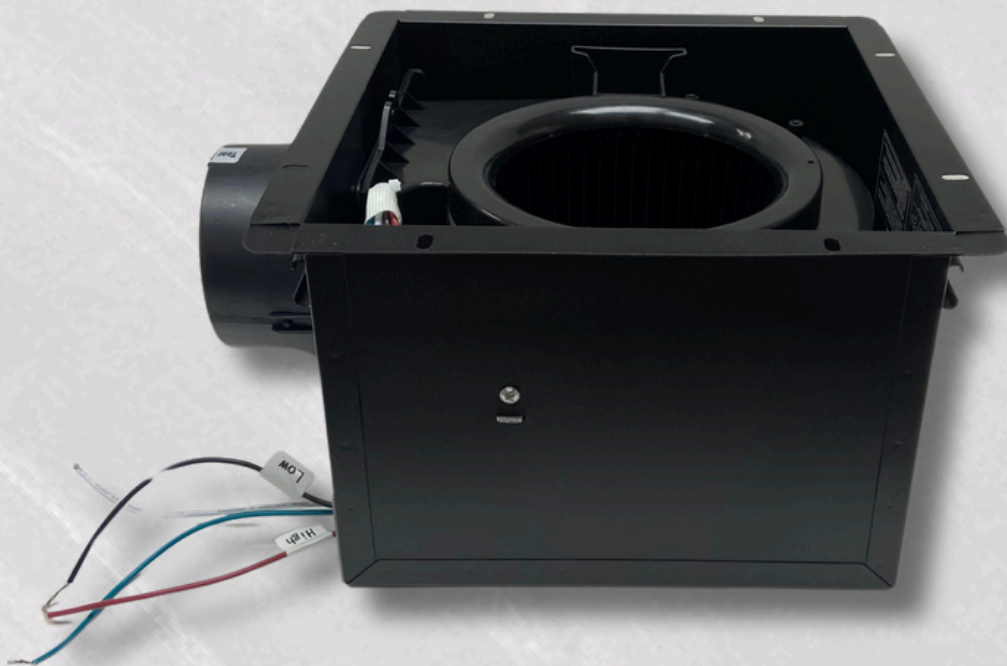
**VERY POWERFUL**



**ONEX<sup>®</sup>**



**EXTREMELY QUIET**



## **MULTIPLE SPEED**

You can set it for 30CFM to  
130CFM

**ONEX**<sup>®</sup>

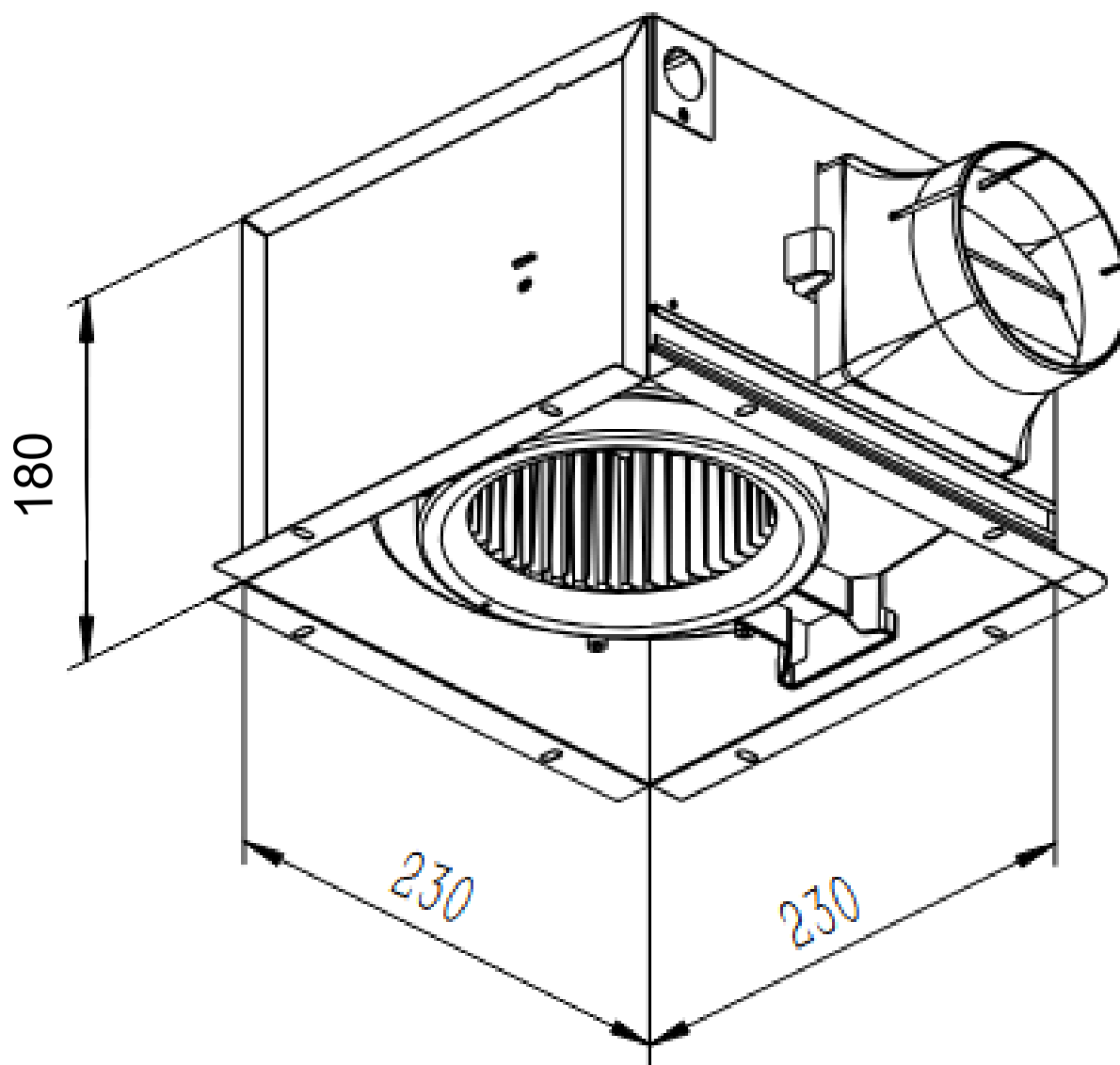


**POWERFUL  
MOTOR**





# PRODUCT DIMENSIONS





# DETAILED SPEC SHEET



## SPECIFICATION:

Model	Input	Duct Dia (inches)	Noise (Sones)	Power (Watt)	*Air Flow (CFM)
ON30-130DC-MS	AC 120V ~ 60Hz	4"	<0.3	2.7	30
	AC 120V ~ 60Hz	4"	<0.3	3.5	50
	AC 120V ~ 60Hz	4"	0.4	5	70
	AC 120V ~ 60Hz	4"	0.6	7.8	90
	AC 120V ~ 60Hz	4"	0.9	13	110
	AC 120V ~ 60Hz	4"	1.0	20	130

remarks: \*Static Pressure at 0.1" water gauge  
specification based on HVI standard or with Lab data transfer/reference  
product specification are subject to change without prior notice.