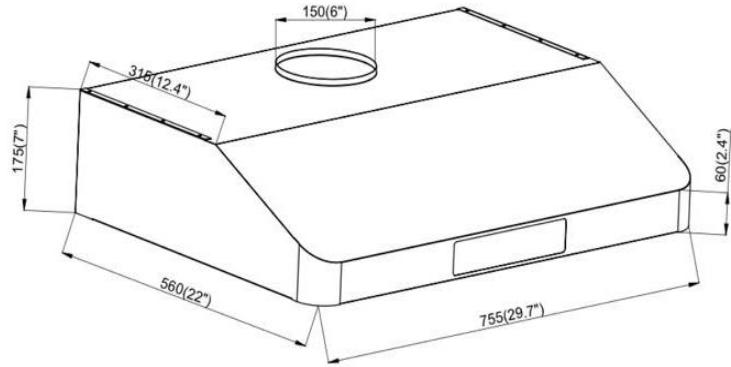


ONEX[®]

HOODFANS



OHF90R-BL

Dimension:	30"
Venting size:	6" round duct vent exhaust and back draft damper
Airflow at max:	850 CFM (with Six performance levels)
Lighting:	2X2W LED lamp
Noise Level:	Low speed: 52dBA Max speed: 65dBA
Voltage:	110v/60Hz
Motor:	250W
Mount type:	Under Cabinet
Keypad type:	Soft Touch, remote & Hand Wave Control
Filters:	Baffle filter
Material:	Black Stainless steel
Certified:	CETL & ETL certificate