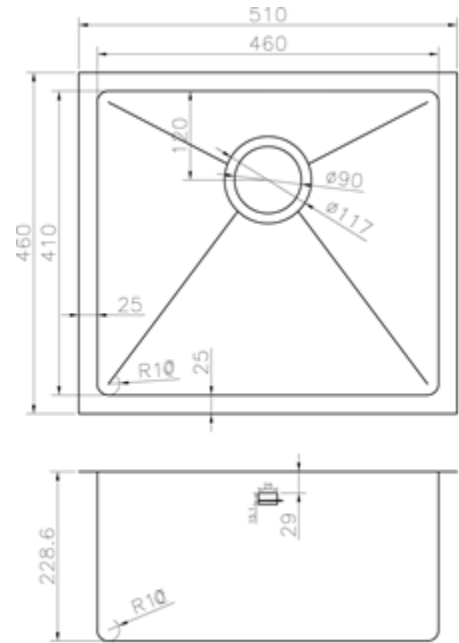


ONEX[®]

STAINLESS STEEL SINKS



MODEL OUS2018-SQR

OVERALL SIZE	510 mm X 460 mm 20" X 18.11"
BOWL SIZE	460 mm X 410 mm 18.11" X 16.14"
DEPTH	228.6 mm / 9"

- 304 brushed finish stainless steel 18 gauge
- Stainless steel strainer, clips and template included
- Sound deadening pads
- Drain located towards rear to provide more space under the sink
- Product certified ASME A112.19.3, CSA B45.0, and CSA B45.4