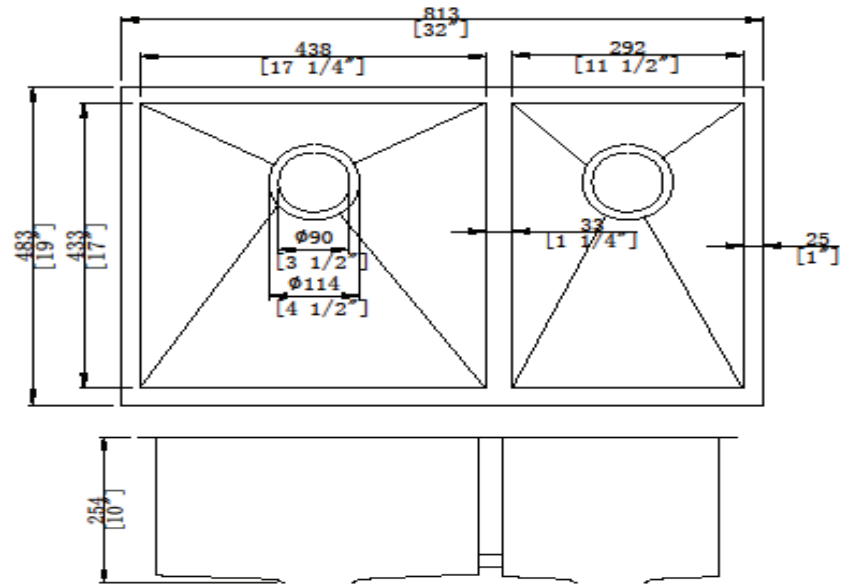


ONEX[®]

STAINLESS STEEL SINKS



MODEL OU3219 SQR (U)

OVERALL SIZE	813 mm X 483 mm	<ul style="list-style-type: none"> • 304 brushed finish stainless steel 18 gauge • Stainless steel strainer, clips and template included • Sound deadening pads • Drain located towards rear to provide more space under the sink • Product certified ASME A112.19.3, CSA B45.0, and CSA B45.4
	32" X 19"	
BOWL SIZE	438 mm X 433 mm/ 292mm X433 mm	
	17-1/4" X 17"/11-1/4" X 17"	
DEPTH	254 mm	
	10"	