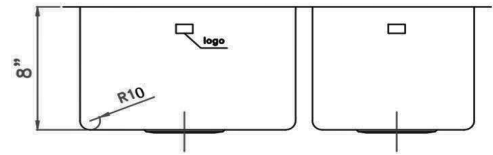
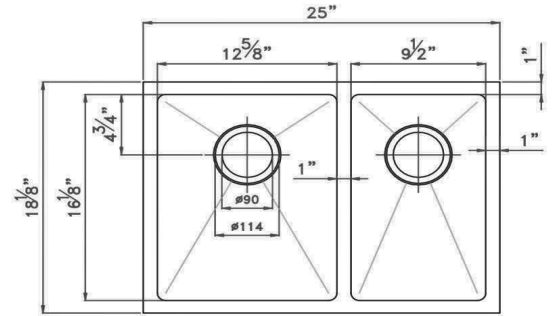


ONEX[®]

STAINLESS STEEL SINKS



MODEL OU2518-SQR-U R10

OVERALL SIZE	635 mm X 457.2 mm 25" X 18-1/8"
BOWL SIZE	304.8 X 406.4 mm 228.6 X 406.4 mm 12-5/8" X 16-1/8" 9-1/2" X 16-1/8"
DEPTH	203.2 mm / 8"

- 304 brushed finish stainless steel 18 gauge
- Stainless steel strainer, clips and template included
- Sound deadening pads
- Drain located towards rear to provide more space under the sink
- Product certified ASME A112.19.3, CSA B45.0, and CSA B45.4