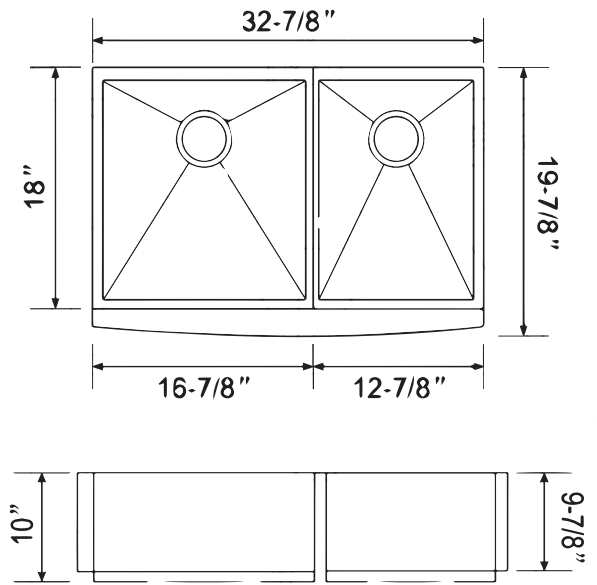


ONEX[®]

STAINLESS STEEL SINKS



OA3320

MODEL OA3320

OVERALL SIZE	835 mm X 500mm	<ul style="list-style-type: none"> • 304 brushed finish stainless steel 16 gauge • Stainless steel strainer, clips and template included • Sound deadening pads • Drain located towards rear to provide more space under the sink • Product certified ASME A112.19.3, CSA B45.0, and CSA B45.4
	32-7/8" X 19-7/8"	
BOWL SIZE	457 mm X 428mm / 457 mm X 327mm 18" X 16-7/8" / 18" X 12-7/8"	
DEPTH	10"	