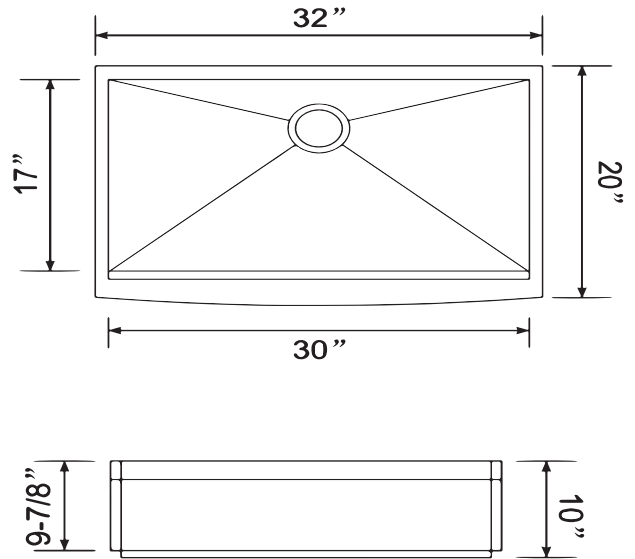


ONEX[®]

STAINLESS STEEL SINKS



OA3219



MODEL OA3219

OVERALL SIZE	810mm X 480mm 32" X 20"	<ul style="list-style-type: none"> • 304 brushed finish stainless steel 18 gauge • Stainless steel strainer, clips and template included • Sound deadening pads • Drain located towards rear to provide more space under the sink • Product certified ASME A112.19.3, CSA B45.0, and CSA B45.4
BOWL SIZE	762mm X 430mm 30" X 17"	
DEPTH	10"	