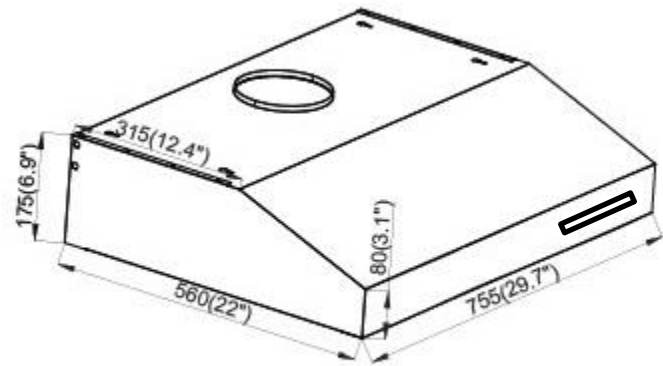


ONEX[®]

HOODFANS



OHF90E

| | |
|-------------------|---|
| ✚ Dimension: | 30" |
| ✚ Venting size: | 6" round duct vent exhaust and back draft damper |
| ✚ Airflow at max: | 800 CFM |
| ✚ Lighting: | 2X2W LED lamp |
| ✚ Noise Level: | Low speed: 52dBA Max speed: 65dBA with three speed levels |
| ✚ Voltage: | 110v/60Hz |
| ✚ Motor: | 250W |
| ✚ Mount type: | Under Cabinet |
| ✚ Keypad type: | Electronic control |
| ✚ Filters: | Baffle filter |
| ✚ Material: | Stainless steel |
| ✚ Certified: | ETL certificate |