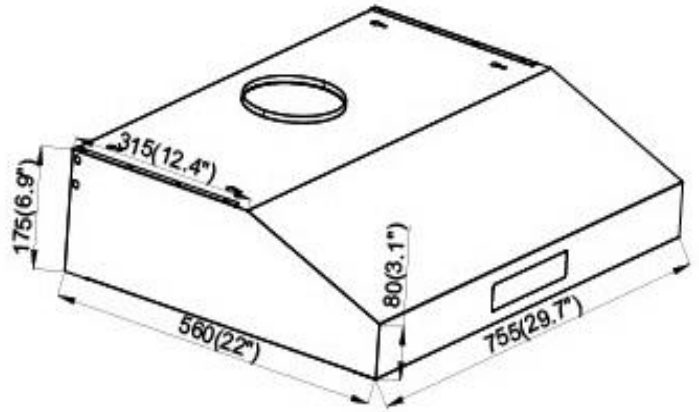


ONEX[®]

HOODFANS



OHF90D

✚ Dimension:	30"
✚ Venting size:	6" round duct vent exhaust and back draft damper
✚ Airflow at max:	800CFM
✚ Lighting:	2X2W LED lamp
✚ Noise Level:	Low
✚ speed:	52dBA
✚ Max speed & Voltage:	65dBA, 110v/60Hz
✚ Motor:	250W
✚ Mount type:	Slim Hood with three speed levels
✚ Keypad type:	Soft touch & Hand wave control Filters: Baffle filter
✚ Material:	Stainless steel
✚ Certified:	ETL certificate
✚ Packing:	32.9x10x22.6'