

Installation Guide and Users Manual

Elite Built-In Series (OIN220) (OIN230) (OIN236)



Manuel et Guide d'Installation

Série Elite-Intégré (OIN220) (OIN230) (OIN236)



IMPORTANT:

Read and save these instructions.

NOTICE:

Installer: Leave this guide with the homeowner **Homeowner:** Keep this guide for future reference

Built-In Range Hood

IMPORTANT :

Lisez et retenez ces instructions.

AVIS :

Installateur : Laissez ce guide au propriétaire de la maison
Propriétaire : Conservez ce guide pour vous y référer ultérieurement.

Hotte aspirante intégrée

Important Safety Notice

Read all Instructions before Installing and operating this appliance

- The installation in this manual is intended for qualified installers, service technicians or persons with similar qualified background. Installation and electrical wiring must be done by qualified professionals and in accordance with all applicable codes and standards, including fire-rated construction.
- DO NOT attempt to install this appliance yourself. Injury could result from installing the unit due to lack of appropriate electrical and technical background.
- Range hood may have very sharp edges; please wear protective gloves if it is necessary to remove any parts for installing, cleaning or servicing.
- Activating any switch ON before completing installation may cause ignition or an explosion.
- Due to the size and weight of this range hood, two people installation is recommended.

To reduce the risk of fire, electric shock, or injury to persons:

- For general ventilating use only. DO NOT use to exhaust hazardous or explosive materials and vapors.
- The combustion air flow needed for safe operation of fuel-burning equipment may be affected by this unit's operation. Follow the heating equipment manufacturer's guideline and safety standards such as those published by the National Fire Protection Association (NFPA), and the American Society of Heating, Refrigeration and Air Conditioning Engineers (ASHRAE), and the local code authorities.
- Before servicing or cleaning unit, switch power OFF at service panel and lock service panel to prevent power from being switched ON accidentally.
- Clean grease laden surfaces frequently. To reduce the risk of fire and to disperse air properly, make sure to vent air outside. DO NOT vent exhaust into spaces between walls, crawl spaces, ceiling, attics or garages.
- Ducted fans **MUST** always be vented to the outdoors.
- Use only metal ductwork and this unit **MUST** be grounded.
- Sufficient air is needed for proper combustion and exhausting of gases through the duct to prevent back drafting.
- When cutting or drilling into wall or ceiling, be careful not to damage electrical wiring or other hidden utilities.
- All electrical wiring must be properly installed, insulated and grounded.
- Old duct work should be cleaned or replaced if necessary to avoid the possibility of a grease fire.
- Check all joints on duct work to insure proper connection and all joints should be properly taped.
- Use this unit only in the manner intended by the manufacturer. If you have questions, contact the vendor.

To reduce the risk of a stove top grease fire:

- Keep all fan, baffle, spaces, filter, grease tunnel, oil container and grease-laden surfaces clean. Grease should not be allowed to accumulate on fan, baffle, spaces, filter, grease tunnel and oil container.
- Always turn range hood ON when cooking at high heat or when cooking flaming foods.
- Use high settings on cooking range only when necessary.
- Never leave surface units unattended at high settings. Boil overs cause smoking and greasy spillovers that may ignite. Heat oils slowly on low or medium settings.

Important Safety Notice

Read all Instructions before Installing and operating this appliance

- Clean ventilating fan frequently.
- Always use appropriate cookware and utensils size.
- Always use cookware appropriate for the size of the surface element.

To reduce the risk of injury to persons in the event of a stove top grease fire:

- SMOTHER FLAMES with a close-fitting lid, cookie sheet, or metal tray, then turn OFF the burner. BE CAREFUL TO PREVENT BURNS. NEVER PICK UP A FLAMING PAN—you may be burned. KEEP FLAMMABLE OR COMBUSTIBLE MATERIAL AWAY FROM FLAMES. If the flames DO NOT go out immediately, EVACUATE AND CALL THE FIRE DEPARTMENT or dial your local emergency service immediately.
- DO NOT USE WATER, including wet dishcloths or towels — a violent steam explosion will result.
- Use an extinguisher ONLY if:
 - You know you have a Class A, B, C extinguisher, and you already know how to operate it.
 - The fire is small and contained in the area where it is started.
 - The fire department is being called.
 - You can fight the fire with your back to an exit.

To reduce the risk of injury to persons in the event of a gas leak:

- Extinguish any open flame.
- DO NOT turn on the range hood fan or any type of ventilator.
- DO NOT turn on the lights or any type of appliance.
- Open all doors and windows to disperse the gas. If you still smell gas, call the gas company and fire department, or dial your local emergency service immediately.

Your safety and the safety of others is very important. We have provided many important safety messages in this manual and on your appliance. Always read and obey all safety messages. All safety messages will tell you what the potential hazard is, tell you how to reduce the chance of injury, and tell you what can happen if the instructions are not followed.



This is the safety alert symbol. This symbol alerts you to potential hazards that can hurt you and others. All safety messages will follow the safety alert symbol and the word “WARNING”.

The manufacturer and/or distributor/reseller declines all responsibility in the event of failure to observe the instructions given here for installation, maintenance and suitable use of the product.

The manufacturer and/or distributor/reseller further declines all responsibility for injury due to negligence and the warranty of the unit automatically expires due to improper maintenance.

The manufacturer and/or distributor/reseller will not be held responsible for any damages to personal property or real estate or any bodily injuries whether caused directly or indirectly by the range hood.

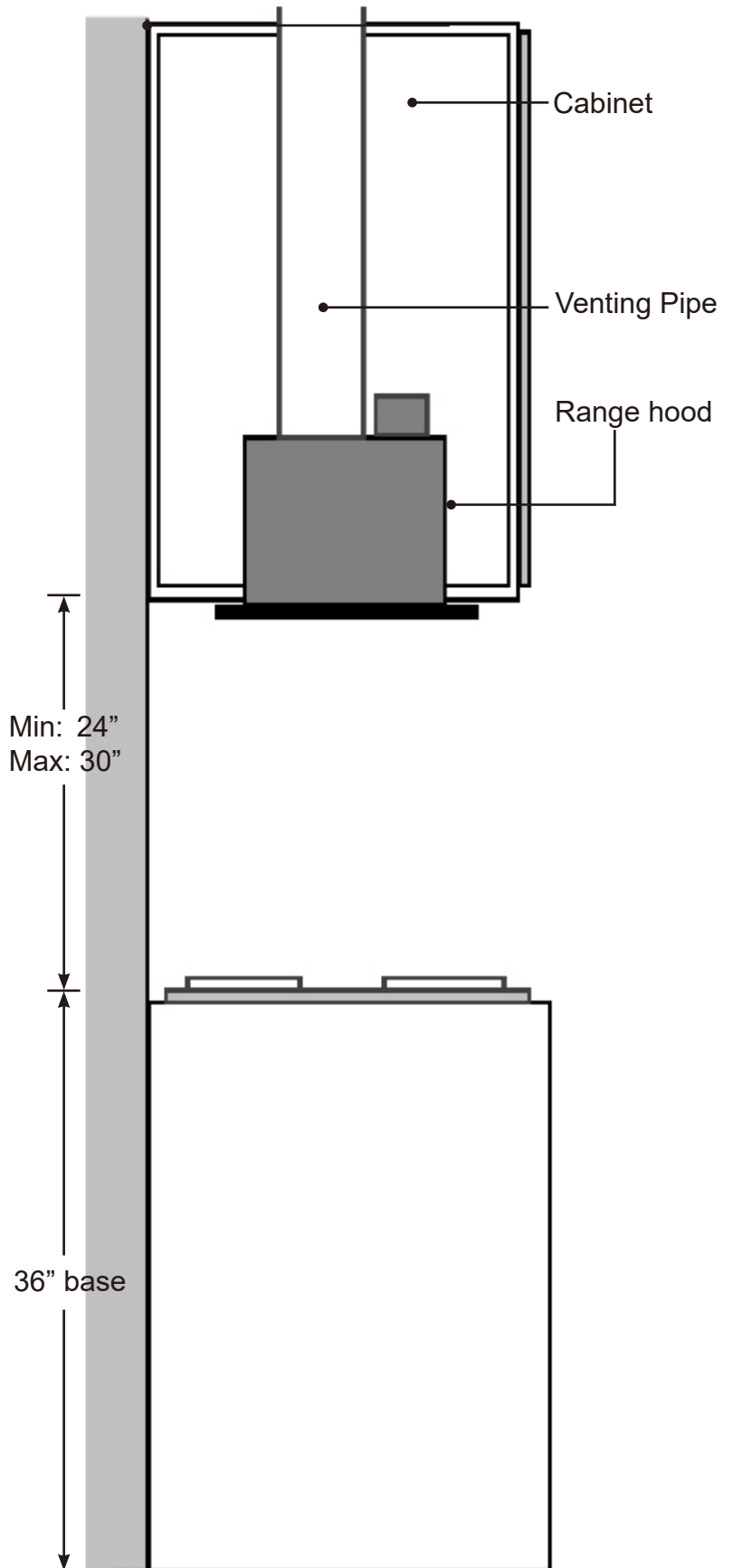
Venting Requirements

- Vent system must terminate to the-out side (roof or side wall), unless using a recirculating kit.
- Do not terminate the vent system in an attic or other enclosed area.
- Do not use 4" (10.2 cm) laundry-type wall caps.
- Use metal/aluminum vent only. Rigid metal/aluminum vent is recommended.
- Do not use plastic vent.
- Always keep the duct clean to ensure proper airflow.
- Calculate the following figures before installation:
 1. Distance from the floor to the ceiling.
 2. Distance between the floor to the countertop/stove (recommend 24in to 30in).
 3. Distance between the countertop/stove to the range hood.
 4. Height of hood and duct cover.

For the most efficient and quiet operation:

- It is recommended that the range hood be vented vertically through the roof through 6" (15 cm) round metal/ aluminum vent work.
- The size of the vent should be uniform.
- Use no more than three 90° elbows.
- Make sure there is a minimum of 24" (61 cm) of straight vent between the elbows if more than one elbow is used.
- Do Not install two elbows together.
- The length of vent system and number of elbows should be kept to a minimum to provide efficient performance.
- The vent system must have a damper. If roof or wall cap has a damper, Do Not use damper supplied with the range hood.
- Use duct tape to seal all joints in the vent system.
- Use caulking to seal exterior wall or roof opening around the cap.

Height & Clearance



IMPORTANT:

- A minimum of 6” round (standard for this range hood) or 3-1/4 x 10” rectangular duct (purchased separately) must be used to maintain maximum airflow efficiency.
- Always use rigid type metal/aluminum ducts if available to maximize airflow when connecting to provided duct.
- Please use *Duct Run Calculation* below to compute total available duct run when using elbows, transitions and caps.
- ALWAYS, when possible, reduce the number of transitions and turns. If long duct run is required, increase duct size from 6” to 7 or 8”. If a reducer is used, install a long reducer instead of a pancake reducer. Reducing duct size will restrict airflow and decrease airflow, thus reduce duct size as far away from opening as possible.
- If turns or transitions are required: Install as far away from opening and as far apart, between 2, as possible.
- Minimum mount height between range top to hood bottom should be no less than 24”.
- Maximum mount height should be no higher than 30”
- It is important to install the hood at the proper mounting height. Hoods mounted too low could result in heat damage and fire hazard; while hoods mounted too high will be hard to reach and will lose its performance and efficiency.
- If available, also refer to manufacturer’s height clearance requirements and recommended hood mounting height above range.

Minimum Duct Size:

- Round- 6” minimum

Calculating vent system length

To calculate the length of the system you need, deduct the equivalent feet for each vent piece used in the system from the recommended maximum duct run.

Duct Run Calculation:	
Recommended maximum run	
6” or 3-1/4 x 10” duct	50 ft
Vent piece deduction	
Each 90° elbow used	9 ft
Each 45° elbow used	5 ft
Each 6” to 3/14 x 10” transition used	7 ft
Side wall cap with damper	0 ft
Roof cap	0 ft

Duct Run Calculation example:

One roof cap, two 90° elbow, and one 45° elbow used:

0ft + 9ft + 9ft + 5ft = 23ft used.

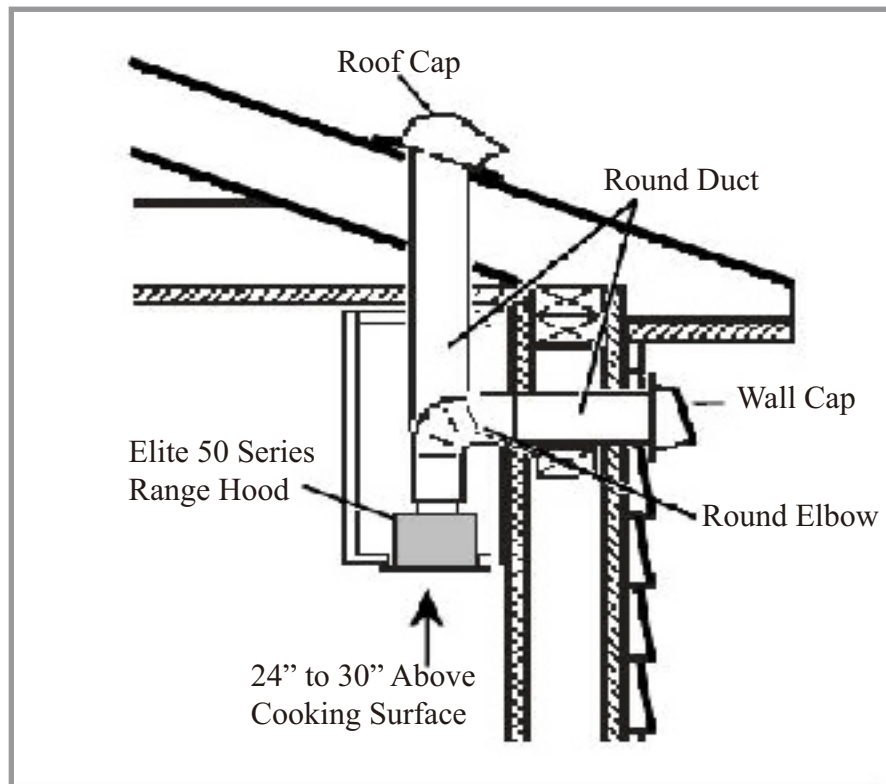
Deduct 23ft from 50ft, 27ft maximum available for straight duct run.

Venting Methods

- This built-in range hood is factory set for venting through the roof or wall. For non-vented (re-circulating) installations, see **Ductless Conversion (Non-Vented)** below.
- Vent work can terminate either through the roof or wall. To vent through a wall, a 90° elbow is needed.

IMPORTANT:

- NEVER exhaust air or terminate duct work into spaces between walls, crawl spaces, ceiling, attics or garages. All exhaust must be ducted to the outside.
- Use metal/aluminum duct work only.
- Fasten all connections with sheet metal screws and tape all joints with certified Silver Tape or Duct Tape.
- Use caulking to seal exterior wall or roof opening around the cap.



Ductless Conversion

- Ductless conversion is intended for applications where an exhaust duct work is not possible to be installed. When converted, the hood functions as a purifying hood rather than an exhaust hood. Fumes and exhaust from cooking is drawn and filtered by a set of charcoal filters. The air is then purified and re-circulated back within the home.
- We recommend to ALWAYS exhaust air outside of the home by employing existing or installing new duct work, if possible. Only when the exhaust option is not possible should you recourse to converting the hood into a purifying unit.
- When converted to be a “purifying” unit, a set of charcoal filters and an air-diverter are required in addition to its standard aluminum filter set. Available at your local authorized reseller. The standard aluminum filters are intended to capture residue from cooking, the optional charcoal filters help to purify fumes exhausted from cooking, and the optional air-diverter redirects filtered clean air back to the house.

Electrical Requirements

IMPORTANT: Observe all governing codes and ordinances.
(Please consult with a qualified electrician for 220-Volt 50 Hz voltage)

It is the customer's responsibility:

To contact a qualified electrical installer.

To assure that the electrical installation is adequate and in conformance with National Electrical Code, ANSI/NFPA 70 — latest edition*, or CSA Standards C22. 1-94, Canadian Electrical Code, Part 1 and C22. 2 No. 0-M91 - latest edition** and all local codes and ordinances.

- If codes permit and a separate ground wire is used, it is recommended that a qualified electrician determine that the ground path is adequate.
- A 120-volt, 60 Hz, AC-only, fused electrical supply is required on a separate 15-amp circuit, fused on both sides of the line.
- Do not ground to a gas pipe.
- Do not have a fuse in the neutral or ground circuit.
- **RISK OF ELECTRICAL SHOCK.** This range hood must be properly grounded. Check with a qualified electrician if you are not sure whether the range hood is properly grounded.
- The range hood should be connected directly to the fused disconnect (or circuit breaker) box through flexible armored or non-metallic sheathed copper cable. A U.L. - or C.S.A. - listed strain relief must be provided at each end of the power supply cable. Do not use extension cord or adapter plug with this appliance.
- The range hood must be connected with copper wire/plug only.
- Always use plug provided. If not possible, connect three wires according to its color (black to hot, white to neutral, and green to ground) to house wires and cap with wire connectors:



WARNING

Severe Injury

Hood may have very sharp edges. Please wear protective gloves if it is necessary to remove any parts for installing, cleaning or servicing.



WARNING

Severe Injury

Hazard of electrical shock!
Electrical wiring must be done by qualified person

Wire sizes (copper wire only) and connections must conform with the rating of the appliance as specified on the model/serial rating label. Wire sizes must conform to the requirements of the National Electrical Code ANSI/NFPA 70 — latest edition*, or CSA Standards C22. 1-94, Canadian Electrical Code Part 1 and C22. 2 No. 0-M91 - latest edition** and all local codes and ordinances. A U.L. - or C.S.A. - listed conduit connector must be provided at each end of the power supply cable (at the range hood and at the junction box).

Installation

INSTALL THE HOOD

Due to excessive weight, two or more person is recommended for this step.

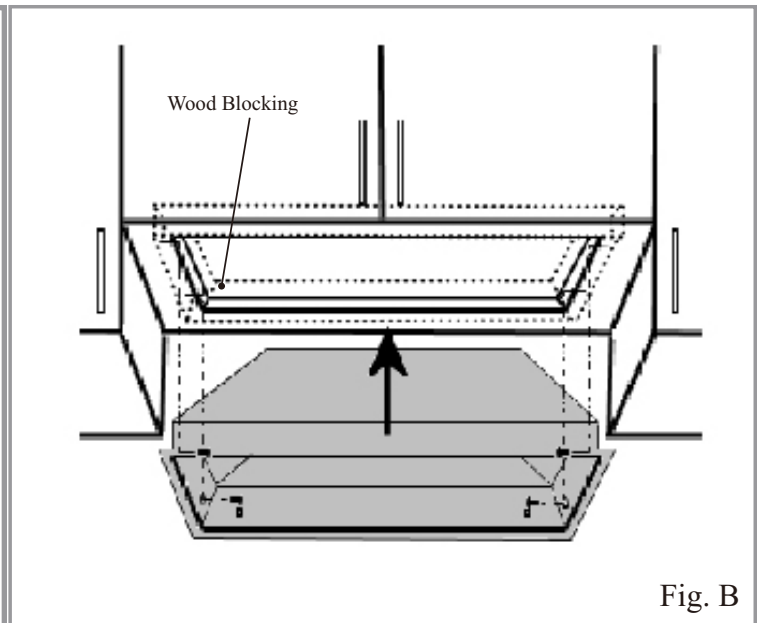
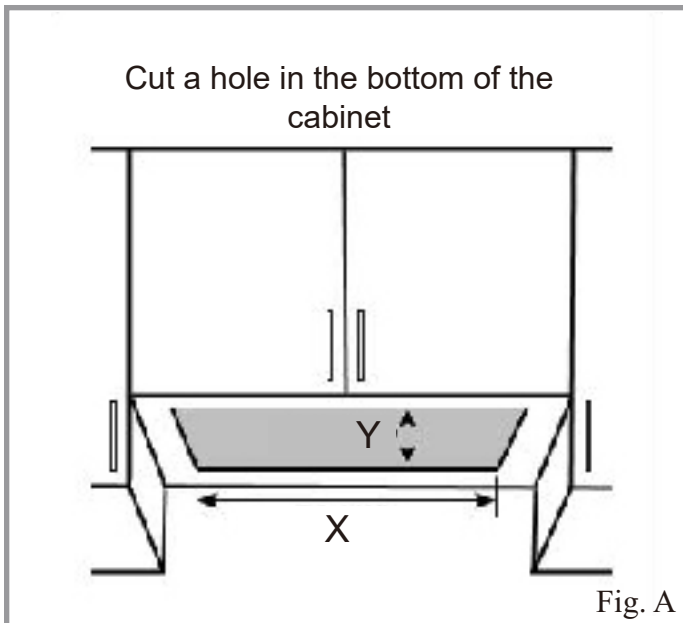
NOTE: the hood has to be installed, inside the cabinet, at minimum 1-1/2" from the rear wall cabinet and at 2" from the front wall cabinet.


The internal height of cabinet has to be minimum 28".

The hood should be mounted centered over the cook top burners.

1. Remove the decorative panel from the range hood.
2. Cut a hole in the bottom of the cabinet, using the dimensions shown in the table below (ref. to Fig. A).
3. Insert the hood in the cabinet and secure with the (4) mounting screws from the inner side of the range hood (Fig. B). *Note: Wood blocking might need to be built if it's not available in order to secure the mounting screws.*
4. In the Non-Ducted Recirculation Configuration, install the Non-ducted recirculation Filter before replacing the grid (see section "Non-ducted recirculation filter installation").
5. Replace the decorative panel.

Model	X	Y
OIN220	19.25"	10.23"
OIN230	27.79"	10.23"
OIN236	34.68"	10.23"



 **WARNING**
Excessive Weight
Require two or more person to move and install this range hood. Spinal or other bodily injuries could occur if it is not followed.

Range Hood Operations



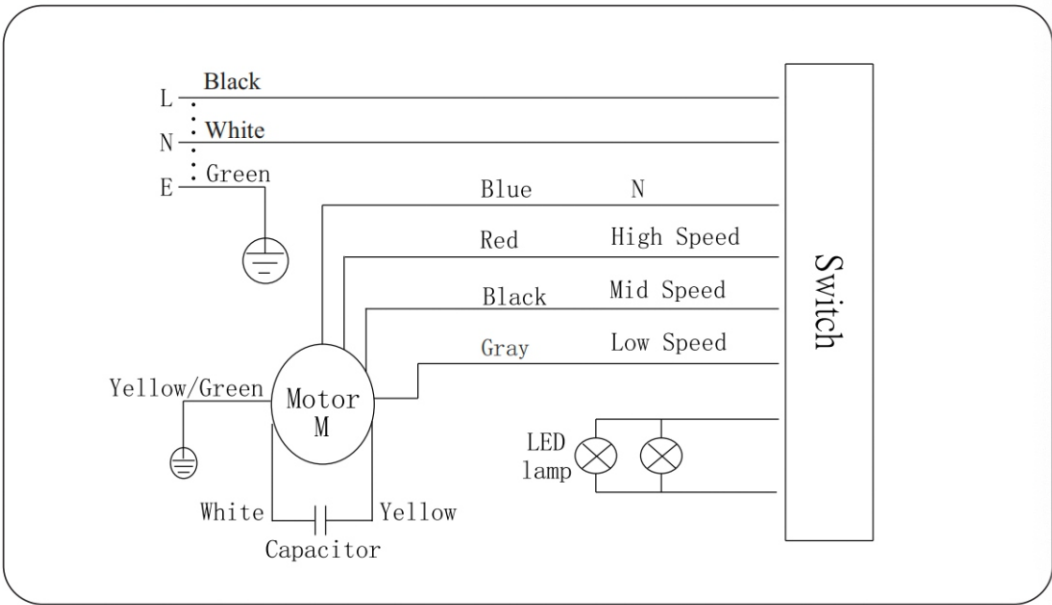
Setting the speed:

Press the On/Off button to turn on the range hood, then press the speed buttons to set your desired speed from Low, Med, High. Press the On/Off button to turn off the range hood.

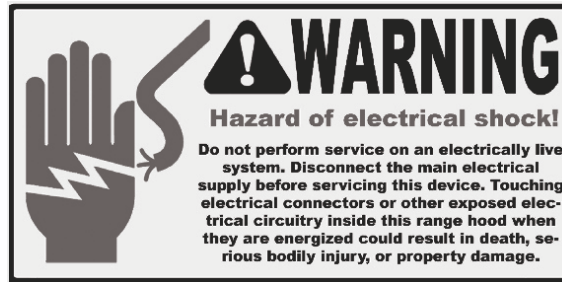
Setting the light:

Press the LAMP button to turn on and off the lights.

Wiring Diagram



Troubleshooting



1. If the range hood does not operate after installation:
 - Check if the range hood has been plugged in, make sure that all power has been turned back on and all electrical wiring are properly connected.
 - Swap out light assembly to working ones to determine whether it is caused by defective bulbs. (See *Replacing the light bulbs*, page 11)
2. The range hood vibrates when the blower is on:
 - The range hood might not have been secured properly on to the ceiling.
3. The blower seems weak:
 - Check that the duct sized used is at least 6" or 3-1/4 x 10". Range hood WILL NOT function efficiently with insufficient duct size. For example: 7" duct over 6" hole and loosely secured.
 - Check if duct is clogged or if damper unit is not opening properly. A tight mesh on a side wall cap unit might also cause restriction to the air flow.
4. The lights work but the blower is not spinning at all, is stuck or is rattling.
 - The blower might be jammed or scraping the bottom due to shipping damage.
5. The hood is not venting out properly:
 - Make sure the distance between the cook top and the bottom of the hood is within 24" and 30" in range.
 - Reduce the number of elbows and length of duct work. Check if all joints are properly connected, sealed, and taped.
 - Make sure the power is on high speed for heavy cooking

NOTE: For all other inquiries, please contact us. Our contact information can be found on the back cover page.

Use and Care Information

WARNING — TO REDUCE THE RISK OF FIRE, ELECTRIC SHOCK, OR INJURY TO PERSONS, OBSERVE THE FOLLOWING: Use this unit only in the manner intended by the manufacturer. If you have questions, contact the manufacturer. Before servicing or cleaning unit, switch power off at service panel and lock switch power off at service panel and lock service panel to prevent power from being switched on accidentally. When the service disconnecting means cannot be blocked, securely fasten prominent warning device such as a tag to the service panel.

CAUTION: For general ventilating use only. Do not use to exhaust hazardous or explosive materials and vapors.

WARNING — TO REDUCE THE RISK OF A RANGE TOP GREASE FIRE: Never leave surface units unattended at high settings. Boil overs cause smoking and greasy spills that may ignite. Heat oils slowly on low or medium settings.

Always turn hood ON when cooking at high heat or when cooking flaming foods.

Clean ventilating fans frequently. Grease should not be al-

lowed to accumulate on fan or filter.

Use proper pan size. Always use cookware appropriate for the size of the surface element.

WARNING — TO REDUCE THE RISK OF INJURY TO PERSONS IN THE EVENT OF A RANGE TOP GREASE FIRE, OBSERVE THE FOLLOWING: SMOTHER FLAMES with a close-fitting lid, cookie sheet, or metal tray, then turn off the burner. **BE CAREFUL TO PREVENT BURNS.** If the flames do not go out immediately, **EVACUATE AND CALL THE FIRE DEPARTMENT. NEVER PICK UP A FLAMING PAN—** you may be burned. **DO NOT USE WATER,** including wet dishcloths or towels — a violent steam explosion will result. Use an extinguisher **ONLY** if:

You know you have a Class ABC extinguisher, and you already know how to operate it.

The fire is small and contained in the area where it is started.

The fire department is being called. You can fight the fire with your back to an exit.

Maintenance

SAFETY WARNING: Never put your hand into area housing the fan while the fan is operating!

For optimal operation, clean range hood and all baffle/spacer/filter/grease tunnel/oil container regularly. Regular care will help preserve the appearance of the range hood.

Cleaning Exterior surfaces:

- Clean periodically with hot soapy water and clean cotton cloth.
- If hood looks splotchy (stainless steel hood), use a stainless steel cleaner to clean the surface of the hood. Avoid getting cleaning solution onto or into the control panel. Follow directions of the stainless steel cleaner.
- DO NOT allow deposits to accumulate or remain on the hood.
- DO NOT use ordinary steel wool or steel brushes. Small bits of steel may adhere to the surface and cause rusting.
- DO NOT allow salt solutions, disinfectants, bleaches, or cleaning compounds to remain in contact with stainless steel for extended periods. Many of these compounds contain chemicals, which may be harmful. Rinse with water after exposure and wipe dry with a clean cloth.

Cleaning Aluminum Grease Filter / Stainless Steel Filterless Grill:

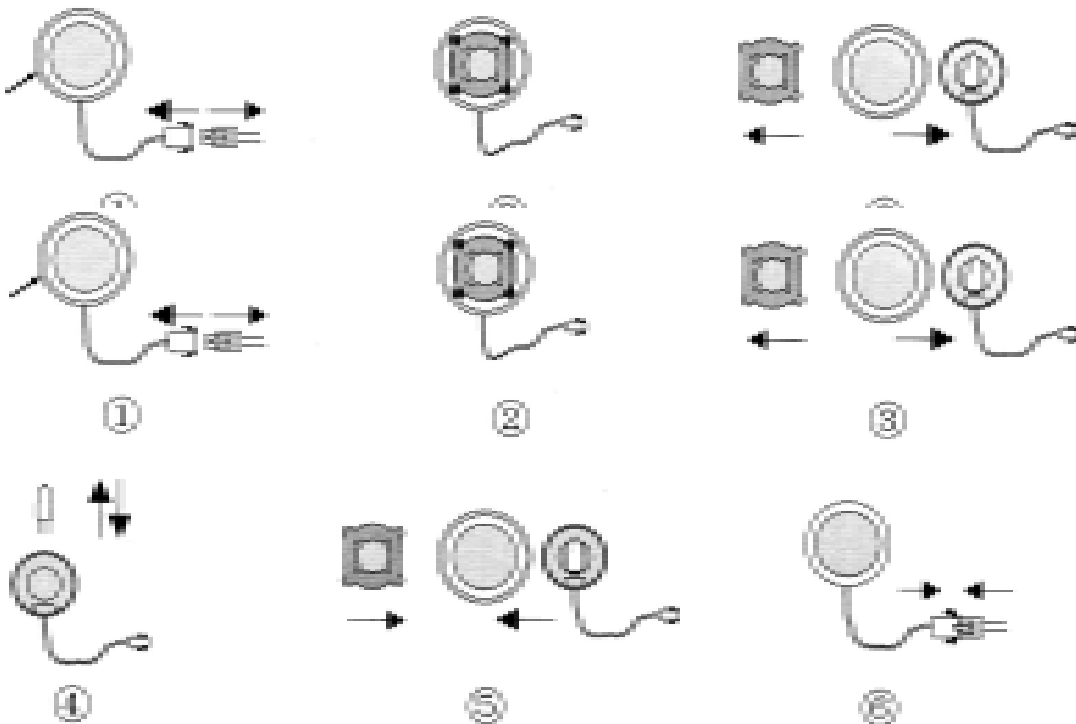
IMPORTANT: Drain oil from oil containers before oil and residue overflow!

- The metal filters fitted by the factory are intended to filter out residue and grease from cooking. It need not be replaced on a regular basis but are required to be kept clean.
- Filters should be cleaned after every 30 hours of use.
- Remove and clean by hand or dishwasher.

Replacing Filters:

- Should filters wear out due to age and prolonged use, please contact your local reseller for replacement filters.
- Note: Also replace damaged filter that has punctured or broken mesh, bent or broken frame.

Replacing the light bulb:



Warranty

TO OBTAIN SERVICE UNDER WARRANTY:

You must present proof of original purchase date.

Please provide an original dated proof of purchase (sales receipt / invoice) in order to obtain service under warranty.

One Year Parts Warranty:

For one year from the date of original purchase, your local reseller will provide free of charge, non-consumable replacement parts or components that failed due to manufacturing defects. Subject to the conditions and limitations set forth below, your local reseller will, at its option, either repair or replace any part of its products that prove defective by reason of improper workmanship or materials. Repaired parts or replacement products will be provided by your local reseller on an exchange basis, and will be either new or refurbished to be functionally equivalent to new. The consumer is responsible for all shipping costs. Consumable parts not covered by this warranty include but not limited to: Light bulbs, metal, aluminum and charcoal filters.

Who is Covered:

This warranty is extended to the original purchaser for products purchased for ordinary home use.

This Warranty Will Be Voided When:

Product damaged through negligence, improper installation, accident, abuse, misuse, natural disaster, insufficient or excessive electrical supply, abnormal mechanical or environmental conditions, or any unauthorized disassembly, repair, modification, or failure to follow installation instructions. When product is used commercially or other than its intended purpose. Damaged because of improper connection with equipment of other manufacturers. Repaired or modified by anyone other than your local reseller's authorized agents. This limited warranty also does not apply to any product on which the original identification information has been altered, obliterated or removed, has not been handled or packaged correctly or has been sold as second-hand.

What is Not Covered:

Consumable parts such as light bulbs, metal and charcoal filters. The natural wear of finish, and wear due to improper maintenance, use of corrosive and abrasive cleaning products, pads, and oven cleaner products. Chips, dents or cracks due to abuse, misuse, freight damage, or improper installation. Damage of product caused by accident, fire, floods or act of God. The manufacturer and/or distributor/reseller is not liable for, and does not cover under warranty, any loss of properties or any costs associated with removing, servicing, installing, or determining the source of problems with this product.

This warranty is valid in the country of the original purchase at retail. It is non-transferable and applies only to the original purchaser and does not extend to subsequent owners of this product. Any applicable implied warranties, including the warranty of merchantability, are limited in duration to a period of express warranty as provided herein beginning with the date of original purchase at retail and, no warranties, whether express or implied, shall apply to this product thereafter.

To obtain warranty service, you may contact your local reseller from which you purchased this product. Please confirm the terms of your local reseller's policies prior to contacting. Typically, you must include product identification information, including model number and serial number with a detailed description of the problem you are experiencing. You must also include proof of the date of original retail purchase as evidence that the product is within the applicable warranty period.

Disclaimer

Carefully inspect all items for damages before accepting delivery. Note any damages on the freight bill or express receipt. Request name and signature of the carrier's agent and keep copy to support your claim. Upon acceptance of items, owner assumes responsibility for its safe arrival. Report damages to the carrier and file a claim immediately. Failure to do so may result in the denial of your claim. The carrier will furnish you with necessary forms for filing a claim.

Damages caused during transit are not covered under our warranty. Please contact us to file an insurance claim.

Please inspect contents of package(s) carefully upon receiving! We must be notified of any damages and/or missing parts within five (5) days upon your receipt of package(s). Claims will not be accepted after five (5) days. NOTE: Items were thoroughly tested and carefully packed in our factory before shipping.

Products must be returned in good working condition with ALL original parts and documentation packed in ALL original cartons, fillers and shipping cartons. A restocking fee of 15% will be charged for all approved return(s). Exchanges or returns may not be accepted if any packaging is missing.

Make sure to inspect the hood for damages and defects before installation. Appearance flaws of the hood found after installation and not affecting hood performance is not covered under our warranty for returns or exchanges. Service visits not covered under warranty will carry a service charge.

Before Installation: Return for exchange or refund (please see above for acceptable returns).

After Installation: **NO** exchange or refund.

Contact Us

If you need any assistance, please contact your local reseller. Please have your order number and model of the range hood ready. This information will help them better respond to your request.

If you need replacement parts, we recommend that you only use genuine parts. Our accessories and parts are engineered and designed specifically for this series of range hood, each is rigorously tested assuring the utmost in durability and reliability, providing a factory match, factory-installed appearance and functionality tailored to each individual range hood model.

Avis de sécurité important

Lisez toutes les instructions avant d'installer et d'utiliser cet appareil.

- L'installation dans ce manuel est destinée à des installateurs qualifiés, des techniciens d'entretien ou des personnes avec des connaissances similaires de l'installation. L'installation et le câblage électrique doivent être effectués par des professionnels qualifiés aussi et conformément à tous les codes et normes applicables, y compris la construction de coupe-feu.
- N'essayez PAS d'installer cet appareil vous-même. L'installation de l'appareil pourrait entraîner des blessures en raison du manque de connaissances électriques et techniques appropriées.
- La hotte peut avoir des bords très tranchants ; veuillez porter des gants de protection s'il est nécessaire de retirer des pièces pour l'installation, le nettoyage ou l'entretien.
- L'activation d'un interrupteur avant la fin de l'installation peut provoquer une inflammation ou une explosion.
- En raison de la taille et du poids de cette hotte, une installation par deux personnes est recommandée.

Pour réduire le risque de fire, de choc électrique ou de blessure aux personnes :

- Pour une utilisation générale de ventilation uniquement.
- NE PAS utiliser pour évacuer des matériaux dangereux ou explosifs et des vapeurs
- Le flow d'air de combustion nécessaire au fonctionnement sûr des appareils à combustible peut être affecté par le fonctionnement de cet appareil. Suivez les directives du fabricant de l'équipement de chauffage et les normes de sécurité telles que celles publiées par la National Fire Protection Association (NFPA) et l'American Society of Heating, Refrigeration and Air Conditioning Engineers (ASHRAE), ainsi que les autorités du code local.
- Avant de procéder à l'entretien ou au nettoyage de l'appareil, coupez l'alimentation au niveau du panneau de service et verrouillez le panneau de service afin d'éviter toute remise sous tension accidentelle.
- Nettoyez fréquemment les surfaces chargées de graisses. Pour réduire le risque de fire et pour disperser l'air correctement, faire Veillez à évacuer l'air à l'extérieur. NE PAS évacuer les gaz d'échappement dans les espaces entre les murs, les vides sanitaires, le plafond, les greniers ou les garages.
- Les ventilateurs à conduit DOIVENT toujours être ventilés à l'extérieur.
- Utilisez uniquement des conduits métalliques et cette unité DOIT être mise à la terre.
- Un air suffisant est nécessaire pour une bonne combustion et l'évacuation des gaz par le conduit afin d'éviter le refoulement.
- Lorsque vous coupez ou percez un mur ou un plafond, veillez à ne pas endommager le câblage électrique ou d'autres services publics cachés.
- Tout le câblage électrique doit être correctement installé, isolé et mis à la terre.
- Les anciens conduits doivent être nettoyés ou remplacés si nécessaire pour éviter la possibilité d'un fire de graisse.
- Vérifiez tous les joints des conduits pour vous assurer de la bonne connexion et tous les joints doivent être correctement recouverts de ruban adhésif.
- N'utilisez cet appareil que de la manière prévue par le fabricant. Si vous avez des questions, contactez le vendeur.

Pour réduire le risque de fire de graisse sur la cuisinière :

- Maintenez propres tous les ventilateurs, baffles, espaces, filtre, tunnel à graisse, récipient à huile et surfaces chargées de graisse. La graisse ne doit pas s'accumuler sur le ventilateur, le baffle, les espaces, le filtre, le tunnel à graisse et le récipient à huile.
- Mettez toujours la hotte de la cuisinière en marche lorsque vous cuisinez à haute température ou lorsque vous cuisez des aliments.
- N'utilisez les réglages élevés de la cuisinière que lorsque cela est nécessaire.
- Ne laissez jamais les unités de surface sans surveillance à des réglages élevés. Les débordements provoquent de la fumée et des projections de graisse qui pourraient s'enflammer. Faites chauffer les huiles lentement sur des réglages bas ou moyens.

Avis de sécurité important

Lisez toutes les instructions avant d'installer et d'utiliser cet

- Nettoyez fréquemment le ventilateur.
- Utilisez toujours des ustensiles de cuisine et des ustensiles de taille appropriée.
- Utilisez toujours des ustensiles de cuisson adaptés à la taille de l'élément de surface.

Pour réduire le risque de blessures aux personnes en cas de fire de graisse sur la cuisinière :

- ÉTOUFFEZ LES FLAMMES avec un couvercle adapté, une plaque à biscuits ou un plateau métallique, puis éteignez le brûleur. SOYEZ PRUDENT POUR ÉVITER LES BRÛLURES. Ne ramassez jamais une casserole enflammée, vous pourriez vous brûler. GARDEZ LES MATÉRIAUX INFLAMMABLES OU COMBUSTIBLES LOIN DES FLAMMES. Si les flammes ne s'éteignent pas immédiatement, ÉVACUER ET APPELER LE DÉPARTEMENT DES POMPIERS ou votre service d'urgence local immédiatement.
- N'UTILISEZ PAS D'EAU, y compris des torchons ou des serviettes humides - une violente explosion de vapeur en résulterait.
- Utilisez un extincteur UNIQUEMENT si :
 - Vous savez que vous avez un extincteur de classe A, B, C, et vous savez déjà comment l'utiliser.
 - La fire est petite et contenue dans la zone où elle a démarré.
 - On appelle le service des incendies.
 - Vous pouvez lutter contre le feu avec votre sortie en arrière.

Pour réduire le risque de blessures aux personnes en cas de fuite de gaz :

- Eteignez toute flamme ouverte.
- N'allumez PAS le ventilateur de la hotte ou tout autre type de ventilateur.
- N'allumez PAS les lumières ou tout autre type d'appareil.
- Ouvrez toutes les portes et fenêtres pour disperser le gaz. Si vous sentez toujours une odeur de gaz, appelez la compagnie de gaz et le service de fire, ou composez immédiatement le service d'urgence local.

Votre sécurité et celle des autres sont très importantes. Nous avons fourni de nombreux messages de sécurité importants dans ce manuel et sur votre appareil. Lisez et respectez toujours tous les messages de sécurité. Tous les messages de sécurité vous indiquent la nature du danger potentiel, la façon de réduire les risques de blessure et ce qui peut se produire si les instructions ne sont pas suivies.

AVERTISSEMENT

Ceci est le symbole d'alerte de sécurité. Ce symbole vous avertit des dangers potentiels qui peuvent vous blesser ou blesser d'autres personnes. Tous les messages de sécurité seront suivis du symbole d'alerte de sécurité et du mot "AVERTISSEMENT".

Le fabricant et/ou le distributeur/revendeur déclinent toute responsabilité en cas de non-respect

des instructions données ici pour l'installation, l'entretien et l'utilisation appropriée du produit.

Le fabricant et/ou le distributeur/revendeur déclinent en outre toute responsabilité en cas de blessure due à une négligence et la garantie de l'appareil expire automatiquement en cas d'entretien inapproprié.

Le fabricant et/ou le distributeur/revendeur ne seront pas tenus responsables de tout dommage à la propriété privée ou immobilière ou de toute blessure corporelle causée directement ou indirectement par la hotte.

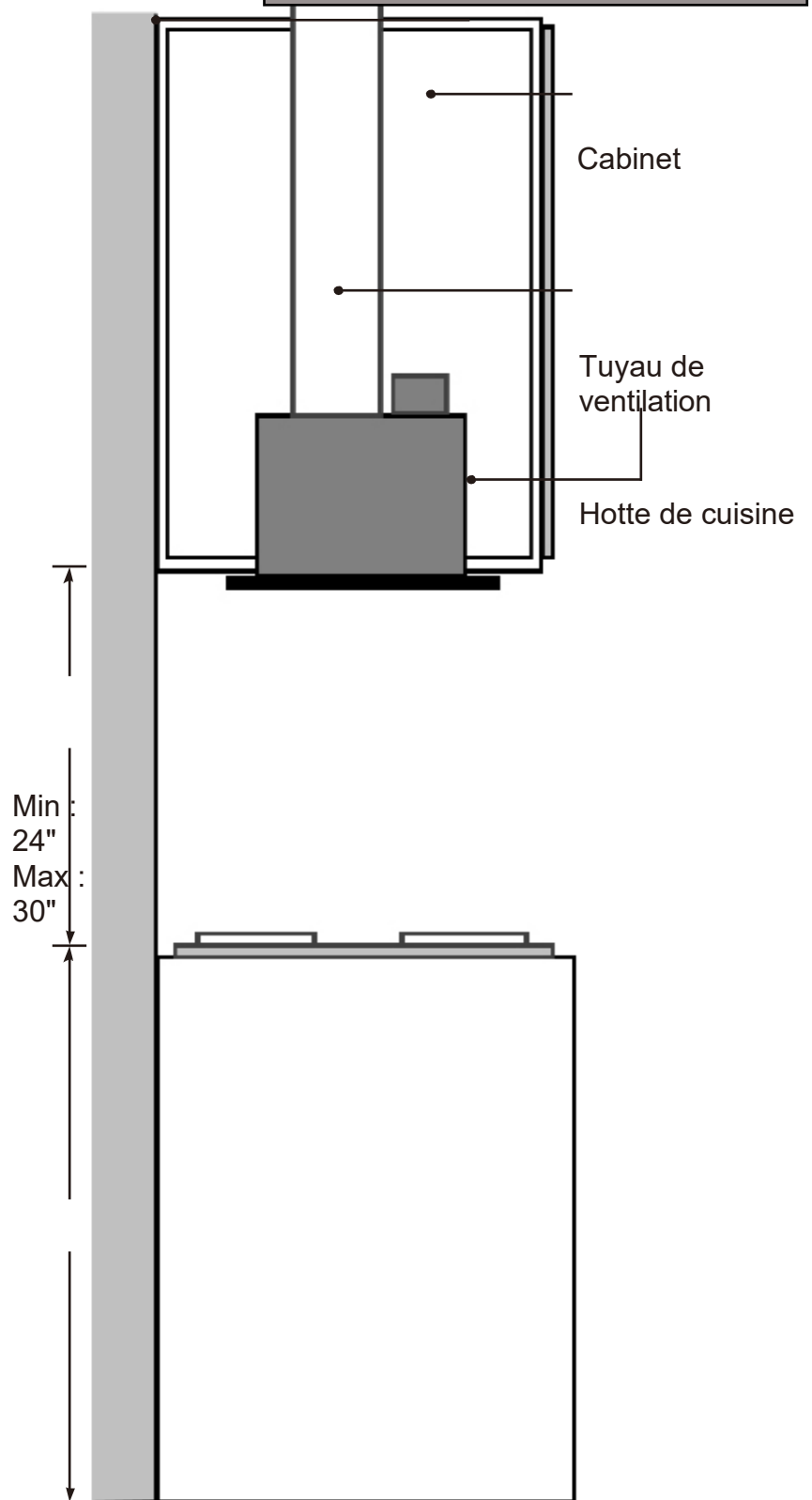
Exigences en matière de ventilation

- Le système de ventilation doit se terminer du côté extérieur (toit ou mur latéral), à moins d'utiliser un kit de recirculation.
- Ne terminez pas le système de ventilation dans un grenier ou un autre endroit fermé.
- N'utilisez pas de capuchons muraux de type blanchisserie de 10,2 cm (4 po).
- Utilisez uniquement un évent en métal/aluminium. Un évent rigide en métal/aluminium est recommandé.
- N'utilisez pas d'évent en plastique.
- Gardez toujours le conduit propre pour assurer un bon écoulement de l'airflow.
- Calculez les figures suivantes avant l'installation :
 1. Distance entre le sol et le plafond.
 2. Distance entre le sol et le comptoir/la cuisinière (recommandez 24in à 30in).
 3. Distance entre le comptoir/la cuisinière et la hotte.
 4. Hauteur de la hotte et du couvercle du conduit.

Pour un fonctionnement le plus efficace et le plus silencieux possible :

- Il est recommandé que la hotte soit ventilée verticalement à travers le toit par des conduits ronds de 15 cm (6 po) en métal ou en aluminium
- La taille du ventilateur doit être uniforme.
- N'utilisez pas plus de trois coudes à 90°.
- Assurez-vous qu'il y a un minimum de 61 cm de conduit droit entre les coudes si plus d'un coude est utilisé.
- Ne pas installer deux coudes ensemble.
- La longueur du système d'évent et le registre. Si le capuchon du toit ou du mur est muni d'un registre, n'utilisez pas le registre fourni avec la hotte.
- Utilisez du ruban adhésif en toile pour sceller tous les joints du système de ventilation.
- Utilisez un produit de calfeutrage pour sceller l'ouverture du mur extérieur ou du toit autour du capuchon.

Hauteur et dégagement



IMPORTANT :

- Un minimum de conduit rond de 6 po (standard pour cette hotte) ou rectangulaire de 3-1/4 x 10 po (acheté ~~séparément~~) doit être utilisé pour maintenir un flow efficiency maximale de l'air.
- Utilisez toujours des conduits de type rigide en métal/aluminium, si possible, pour maximiser le flow de l'air lors du raccordement au conduit fourni.
- Veuillez utiliser le *calcul de la longueur de conduit* ci-dessous pour calculer la longueur totale de conduit disponible en utilisant des coudes, des transitions et des capuchons.
- Dans la mesure du possible, réduisez TOUJOURS le nombre de transitions et de virages. Si un long parcours de conduit est nécessaire, augmentez la taille du conduit de 6" à 7 ou 8". Si un réducteur est utilisé, installez un réducteur long au lieu d'un réducteur en crêpe. La réduction de la taille des conduits limitera le flux d'air et diminuera le flux d'air, donc réduisez la taille des conduits aussi loin que possible de l'ouverture.
- Si des virages ou des transitions sont nécessaires : Installez-les aussi loin que possible de l'ouverture et aussi loin que possible, entre 2.
- La hauteur minimale de montage entre le haut de la cuisinière et le bas de la hotte ne doit pas être inférieure à 24".
- La hauteur maximale du support ne doit pas dépasser 30".
- Il est important d'installer la hotte à la hauteur de montage appropriée. Les hottes montées trop bas pourraient entraîner des dommages thermiques et un risque de fire ; tandis que les hottes montées trop haut seront difficiles à atteindre et perdront leurs performances et leur efficacité.
- Si disponible, consultez également les exigences du fabricant en matière de dégagement en hauteur et la hauteur de montage recommandée de la hotte au-dessus de la cuisinière.

Taille minimale des conduits:

- Rond - 6" minimum

Calcul de la longueur du système de ventilation

Pour calculer la longueur du système dont vous avez besoin, déduisez les pieds équivalents pour chaque pièce d'événement utilisée dans le système de la longueur maximale de conduit recommandée.

Calcul du parcours des conduits :	
Course maximale	
Conduit de 6" ou 3-1/4 x 10	50
Déduction de la	
Chaque coude de 90° utilisé	9 pieds
Chaque coude à 45° utilisé	5 pieds
Chaque transition de 6" à 3/14 x 10"	7 pieds
Capuchon de paroi latérale avec clapet	0 ft
Capuchon de toiture	0 ft

Exemple de calcul de l'écoulement des conduits :

Un chapeau de toit, deux coudes à 90° et un coude à 45° sont utilisés : 0ft + 9ft + 9ft + 5ft = 1,5 m. 23ft utilisés.

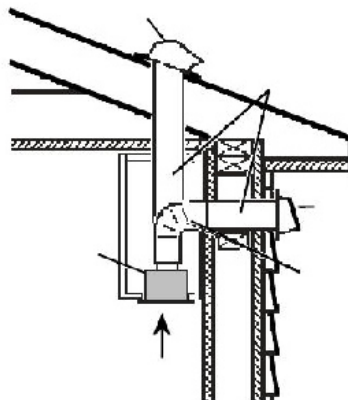
Déduisez 23ft de 50ft, 27ft maximum disponible pour un parcours de conduit droit.

Méthodes de ventilation

- Cette hotte encastrée est réglée en usine pour être ventilée par le toit ou le mur. Pour les installations sans évacuation (recirculation), voir la section **Conversion sans conduit (sans évacuation)** ci-dessous.
- Les conduits d'évacuation peuvent se terminer soit par le toit, soit par un mur. Pour ventiler à travers un mur, un coude de 90° est nécessaire.

IMPORTANT :

- N'évacuez JAMAIS l'air ou ne terminez pas les conduits dans les espaces entre les murs, les vides sanitaires, le plafond, les greniers ou les garages. Toutes les évacuations doivent être dirigées vers l'extérieur.
- Utilisez uniquement des conduits en métal/aluminium.
- Fixez tous les raccords avec des vis à tôle et collez tous les joints avec du ruban adhésif argenté certifié ou du ruban adhésif en toile.
- Utilisez un produit de calfeutrage pour sceller l'ouverture du mur extérieur ou du toit autour du capuchon.



Conversion sans

- La conversion sans conduit est destinée aux applications où il est impossible d'installer un conduit d'évacuation.
Lorsqu'elle est convertie, la hotte fonctionne comme une hotte de purification plutôt que comme une hotte d'évacuation. Les fumées et les gaz d'échappement de la cuisson sont aspirés et filtrés par un ensemble de filtres à charbon de bois. L'air est ensuite purifié et remis en circulation à l'intérieur de la maison.
- Nous recommandons de TOUJOURS évacuer l'air à l'extérieur de la maison en utilisant les conduits existants ou en installant de nouveaux conduits, si possible. Ce n'est que lorsque l'option d'évacuation n'est pas possible que vous devez avoir recours à la transformation de la hotte en unité de purification.
- Lorsqu'il est converti en appareil "purificateur", un jeu de filtres à charbon et un déviateur d'air sont nécessaires en plus de son jeu de filtres en aluminium standard. Disponibles chez votre revendeur agréé local. Les filtres en aluminium standard sont destinés à capturer les résidus de cuisson, les filtres à charbon de bois en option contribuent à purifier les fumées évacuées par la cuisson, et le déviateur d'air en option redirige l'air pur filtré vers la maison.

Exigences électriques

IMPORTANT : Respectez tous les codes et ordonnances en vigueur. (Veuillez consulter un électricien qualifié pour la tension 220-Volt 50 Hz)

C'est la responsabilité du client :

Pour contacter un installateur électrique qualifié.

S'assurer que l'installation électrique est adéquate et conforme au National Electrical Code, ANSI/NFPA 70 - dernière édition*, ou aux normes CSA C22. 1-94, Code canadien de l'électricité, Partie 1 et C22. 2 No. 0-M91 - dernière édition** et tous les codes et ordonnances locaux.

- Si les codes le permettent et qu'un fil de terre séparé est utilisé, il est recommandé qu'un électricien qualifié détermine que le chemin de terre est adéquat.
- Une alimentation électrique de 120 volts, 60 Hz, en courant alternatif uniquement, avec fusible, est requise sur un circuit séparé de 15 ampères, avec fusible des deux côtés de la ligne.
- Ne pas mettre à la terre sur un tuyau de gaz.
- Ne pas avoir de fusible dans le circuit neutre ou de terre.
- **RISQUE DE CHOC ÉLECTRIQUE.** Cette hotte de cuisine doit être correctement mise à la terre. Vérifiez auprès d'un électricien qualifié si vous n'êtes pas sûr que la hotte soit correctement mise à la terre.
- La hotte doit être raccordée directement au boîtier de sectionnement à fusibles (ou disjoncteur) par un câble en cuivre blindé ou à gaine non métallique flexible. Une décharge de traction homologuée U.L. - ou C.S.A. - doit être prévue à chaque extrémité du câble d'alimentation. N'utilisez pas de rallonge ou de fiche d'adaptation avec cet appareil.
- La hotte doit être raccordée uniquement avec un fil/une fiche en cuivre.
- Utilisez toujours la fiche fournie.

Si ce n'est pas possible, connectez trois fils selon leur couleur (noir pour la chaleur, blanc pour le neutre et vert pour la terre) aux fils de la maison et au capuchon avec des connecteurs de fils :



Le calibre des fils (fils de cuivre uniquement) et les connexions doivent être conformes à la puissance nominale de l'appareil, telle que spécifiée sur l'étiquette du modèle/de la série. La taille des fils doit être conforme aux exigences du National Electrical Code ANSI/ NFPA 70 - dernière édition*, ou aux normes CSA C22. 1-94, Code canadien de l'électricité, Partie 1 et C22. 2 No. 0-M91 - dernière édition** et tous les codes et ordonnances locaux. Un connecteur de conduit homologué U.L. - ou C.S.A. - doit être fourni à chaque extrémité du câble d'alimentation (au niveau de la hotte et de la boîte de jonction).

Installation

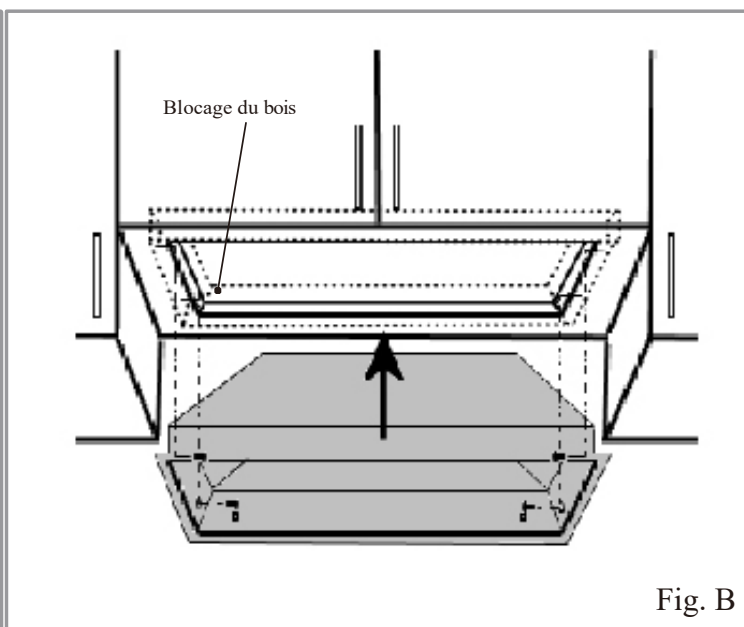
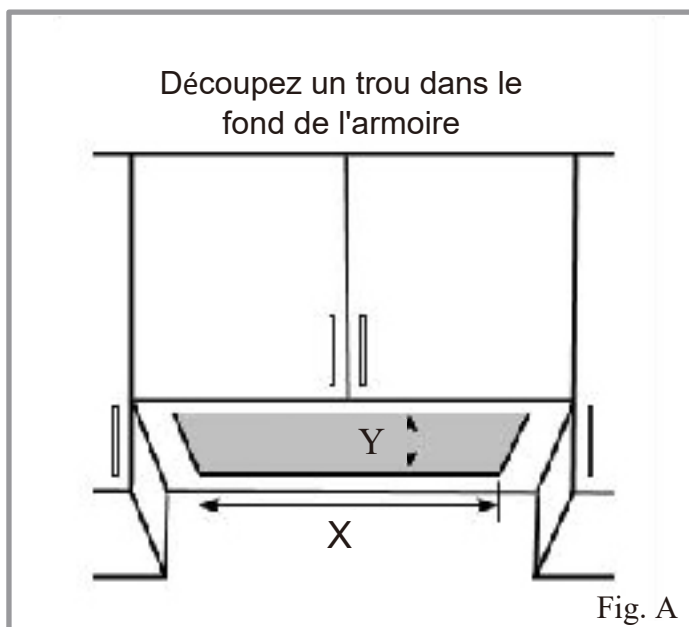
INSTALLER LE CAP CAP CAP L'INSTALLATION

En raison du poids excessif, il est recommandé de faire appel à deux personnes ou plus pour cette étape.

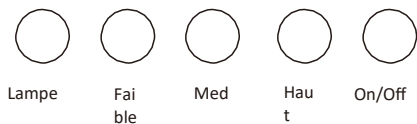
NOTE : la hotte doit être installée, à l'intérieur de l'armoire, à minimum à 1-1/2" de l'armoire murale arrière et à 2" de l'armoire murale avant. La hauteur interne de l'armoire doit être d'au moins 28". La hotte doit être montée centrée sur les brûleurs de la table de cuisson.

1. Retirez le panneau décoratif de la hotte.
2. Découpez un trou dans le fond de l'armoire, en utilisant les dimensions indiquées dans le tableau ci-dessous (réf. à la Fig. A).
3. Insérez la hotte dans l'armoire et fixez-la avec les (4) vis de montage du côté intérieur de la hotte (Fig. B).
Remarque : Il peut être nécessaire de fabriquer des cales en bois si elles ne sont pas disponibles afin de fixer les vis de montage.
4. Dans la Configuration de recirculation sans conduit, installez le filtre de recirculation sans conduit avant de remplacer la grille (voir la section "Installation du filtre de recirculation sans conduit").
5. Remplacez le panneau décoratif.

Modèle	X	Y
OIN220	19.25"	10.23"
OIN230	27.79"	10.23"
OIN236	34.68"	10.23"



Fonctionnement des hottes de cuisine



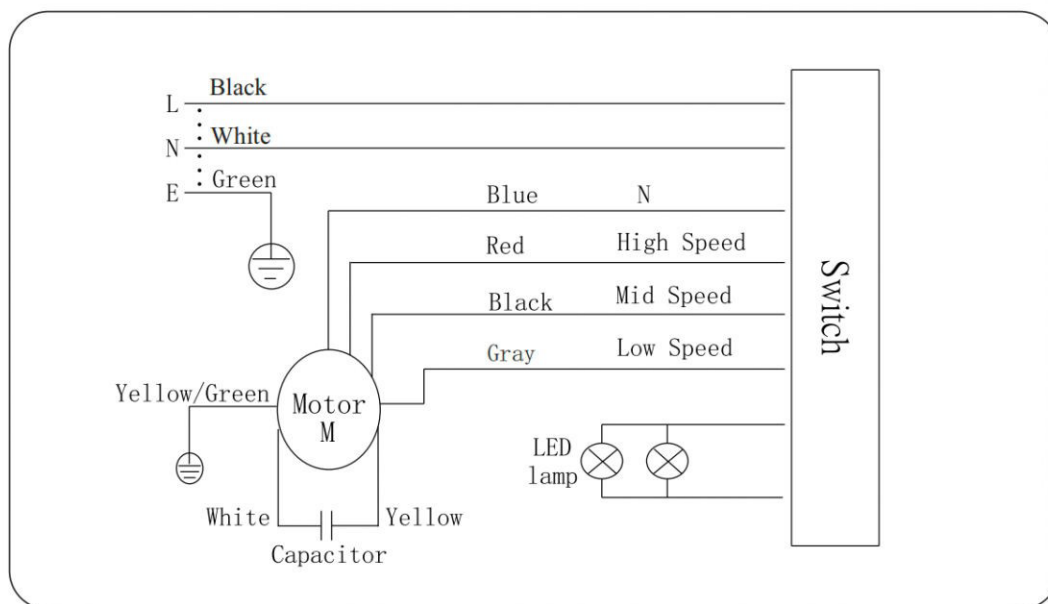
Réglage de la vitesse :

Appuyez sur le bouton On/O pour mettre en marche la hotte, puis appuyez sur les boutons de vitesse pour régler la vitesse de votre choix (Low, Med, High). Appuyez sur le bouton On/O pour mettre la hotte en marche.

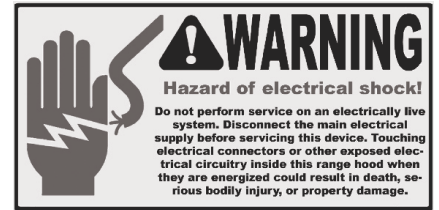
Réglage de la lumière :

Appuyez sur le bouton LAMP pour allumer et éteindre les lumières.

Schéma de câblage



Dépannage



1. Si la hotte ne fonctionne pas après l'installation :
 - Vérifiez si la hotte a été branchée, assurez-vous que le courant a été rétabli et que tous les fils électriques sont correctement connectés.
 - Remplacez l'ensemble des lampes par des lampes en état de marche pour déterminer si le problème est dû à des ampoules défectueuses. (Voir *Remplacement des ampoules*, page 11).
2. La hotte vibre lorsque le ventilateur est en marche :
3. Les ventilateurs semblent faibles :
 - La hotte n'a peut-être pas été fixée au plafond de façon pro-pre.
 - Vérifiez que la taille du conduit utilisé est d'au moins 6" ou 3-1/4 x 10". La hotte ne fonctionne pas efficacement avec une taille de conduit insuffisant. Par exemple : conduit de 7" sur un trou de 6" et fixé de manière lâche.
 - Vérifiez si le conduit est bouché ou si le clapet ne s'ouvre pas correctement. Une maille serrée sur une unité de capuchon de paroi latérale pourrait également causer une restriction du flow d'air.
4. Les lumières fonctionnent mais le ventilateur ne tourne pas du tout, est bloqué ou fait des bruits.
5. La hotte n'est pas ventilée correctement :
 - La soufflante peut être bloquée ou racler le solen raison de dommages causés par le transport.
 - Assurez-vous que la distance entre la table de cuisson et le bas de la hotte se situe entre 24 et 30 pouces.
 - Réduisez le nombre de coudes et la longueur des conduits. Vérifiez que tous les joints sont correctement raccordés, scellés et recouverts de ruban adhésif.
 - Assurez-vous que l'appareil est en mode haute vitesse pour les cuissons intenses.

NOTE : Pour toute autre demande, veuillez nous contacter. Nos coordonnées se trouvent sur la page de couverture arrière.

Informations sur l'utilisation et l'entretien

AVERTISSEMENT - AFIN DE RÉDUIRE LES RISQUES D'INCENDIE, DE CHOC ÉLECTRIQUE OU DE BLESSURES CORPORELLES, VEUILLEZ OBSERVER LES CONSIGNES SUIVANTES

LE SUIVANT : Utilisez cet appareil uniquement de la manière indiquée par le fabricant. Si vous avez des questions, contactez le fabricant. Avant de procéder à l'entretien ou au nettoyage de l'appareil, coupez l'alimentation o ffau panneau de service et verrouillez l'alimentation o ffau panneau de service et verrouillez le panneau de service pour éviter toute mise sous tension accidentelle. Lorsque les moyens de déconnexion de service ne peuvent pas être bloqués, fixez solidement un dispositif d'avertissement proéminent tel qu'une étiquette au panneau de service.

ATTENTION : Pour une utilisation générale de ventilation uniquement. Ne pas utiliser pour évacuer des matières et des vapeurs dangereuses ou explosives.

AVERTISSEMENT - POUR RÉDUIRE LE RISQUE D'UNE GAMME

FEU DE GRAISSE : Ne laissez jamais les unités de surface sans surveillance à des réglages élevés. Les débordements provoquent de la fumée et des projections de graisse qui peuvent s'enflammer. Faites chauffer les huiles lentement sur des réglages bas ou moyens. Mettez toujours la hotte en marche lorsque vous cuisinez à haute température ou lorsque vous cuisez des aliments flaming.

Nettoyez fréquemment les ventilateurs. La graisse ne doit pas être al-

s'accumulent sur le ventilateur ou le filtre.

Utilisez une casserole de taille appropriée. Utilisez toujours des ustensiles de cuisson adaptés à la taille de l'élément de surface.

AVERTISSEMENT - POUR RÉDUIRE LE RISQUE DE BLESSURES AUX PERSONNES EN CAS DE FEU DE GRAISSE SUR LE DESSUS DE LA CUISINIÈRE, OBSERVEZ CE QUI SUIT : SMOTHER

FLAMMES avec un couvercle close-fitting, une plaque à biscuits ou un plateau métallique, puis tournez o ffe brûleur. FAITES ATTENTION POUR ÉVITER BRULURES. Si les flames ne s'éteignent pas immédiatement, EVACU - ATEZ ET APPELEZ LES POMPIERS. NE JAMAIS

PRENDRE UNE PANNE FLAMMANTE- vous pouvez être brûlé.

N'UTILISEZ PAS D'EAU, ni de torchons ou de serviettes humides.

— une violente explosion de vapeur en résulterait. Utilisez un extincteur **UNIQUEMENT** si :

Vous savez que vous avez un extincteur de classe ABC et vous savez déjà comment l'utiliser.

La fire est petite et contenue dans la zone où elle a démarré.

Le service des incendies est appelé. Vous pouvez combattre la fire en tournant le dos à une sortie.

Maintenance

AVERTISSEMENT DE SÉCURITÉ : Ne jamais mettre la main dans la zone où se trouve le ventilateur lorsque celui-ci fonctionne !

Pour un fonctionnement optimal, nettoyez régulièrement la hotte de cuisine et tous les baffle/spacer/filter/tunnel de graissage/récipient à huile. Un entretien régulier permettra de préserver l'apparence de la hotte de cuisine.

Nettoyage des surfaces extérieures :

- Nettoyer périodiquement avec de l'eau chaude savonneuse et un chiffon en coton propre.
- Si la hotte présente des taches (hotte en acier inoxydable), utilisez un nettoyant pour acier inoxydable pour nettoyer la surface de la hotte. Évitez de mettre la solution de nettoyage sur ou dans le panneau de commande. Suivez les instructions du nettoyant pour acier inoxydable.
- NE laissez PAS les dépôts s'accumuler ou rester sur le capot.
- N'utilisez PAS de laine d'acier ordinaire ou de brosses en acier. De petits morceaux d'acier pourraient adhérer à la surface et provoquer de la rouille.
- NE laissez PAS les solutions salines, les désinfectants, les agents de blanchiment ou les produits de nettoyage en contact avec l'acier inoxydable pendant de longues périodes. Beaucoup de ces produits contiennent des substances chimiques qui peuvent être nocives. Rincez à l'eau après l'exposition et essuyez avec un chiffon propre.

Nettoyage du filtre à graisse en aluminium / Gril sans filtre en acier inoxydable :

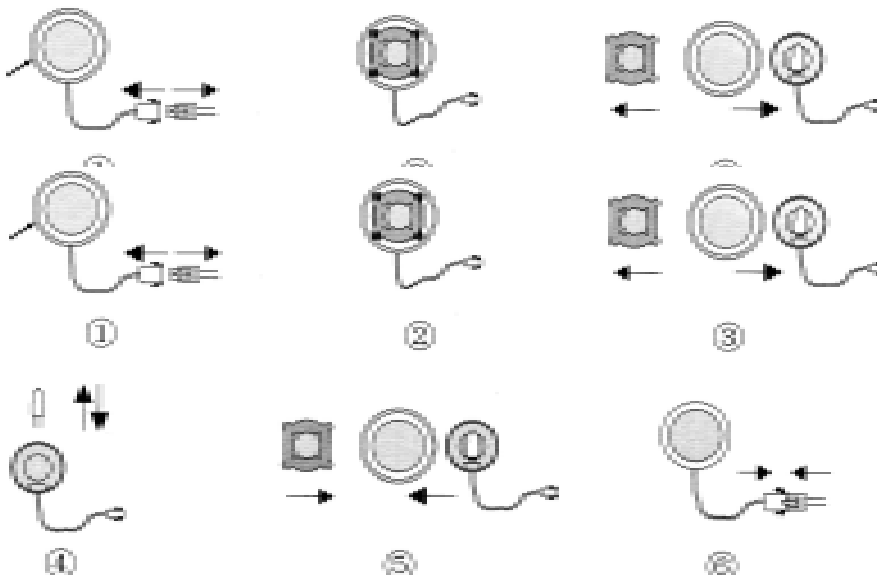
IMPORTANT : Vidangez les récipients d'huile avant que l'huile et les résidus ne soient overflow !

- Les filtres métalliques fités par l'usine sont destinés à filtrer les résidus et les graisses de cuisson. Il n'est pas nécessaire de les remplacer régulièrement mais il est demandé de les maintenir propres.
- Les filtres doivent être nettoyés toutes les 30 heures d'utilisation.
- Retirer et nettoyer à la main ou au lave-vaisselle.

Remplacement des filtres :

- En cas d'usure des filtres due à l'âge et à une utilisation prolongée, veuillez contacter votre revendeur local pour obtenir des filtres de remplacement.
- Remarque : remplacez également le filtre endommagé dont les mailles sont perforées ou cassées, le cadre plié ou cassé.

Remplacer l'ampoule :



Garantie

Pour obtenir un service sous garantie

Vous devez présenter une preuve de la date d'achat initiale.

Veillez fournir une preuve de la date d'achat originale (ticket de caisse/facture) afin d'obtenir un service sous garantie

Garantie d'un an sur les pièces :

Pendant un an à compter de la date d'achat initiale, votre revendeur local fournira gratuitement des pièces de rechange non consommables ou des composants qui se sont avérés défectueux en raison de défauts de fabrication. Sous réserve des conditions et des limitations énoncées ci-dessous, votre revendeur local s'engage, à sa discrétion, à réparer ou à remplacer toute pièce de ses produits qui s'avérerait défectueuse en raison d'un défaut de fabrication ou de matériaux.

Les pièces réparées ou les produits de remplacement seront fournis par votre revendeur local.

sur la base d'un échange, et sera soit neuf, soit remis à neuf pour être fonctionnellement équivalent au neuf. Tous les frais d'expédition sont à la charge du consommateur. Les pièces consommables non couvertes par cette garantie comprennent, sans s'y limiter : Les ampoules électriques, les filtres en métal, en aluminium et en charbon de bois.

Qui est couvert :

Cette garantie est étendue à l'acheteur initial pour les produits achetés pour une utilisation domestique ordinaire.

Cette garantie sera annulée lorsque :

Produit endommagé à la suite d'une négligence, d'une installation incorrecte, d'un accident, d'un abus, d'une mauvaise utilisation, d'une catastrophe naturelle, d'une alimentation électrique insuffisante ou excessive, de conditions mécaniques ou environnementales anormales, ou de tout démontage, réparation, modification ou non-respect des instructions d'installation non autorisés. Lorsque le produit est utilisé à des fins commerciales ou à d'autres fins que celles pour lesquelles il a été conçu. Endommagé en raison d'une connexion inappropriée avec des équipements d'autres fabricants. Réparé ou modifié par toute personne autre que les agents agréés de votre revendeur local. Cette garantie limitée ne s'applique pas non plus à tout produit sur lequel les informations d'identification d'origine ont été modifiées, oblitérées ou retirées, qui n'a pas été manipulé ou emballé correctement ou qui a été vendu comme produit d'occasion.

Ce qui n'est pas couvert :

Les pièces consommables telles que les ampoules, les filtres métalliques et les charbons de bois. L'usure naturelle du finish, et l'usure due à un entretien inadéquat, à l'utilisation de produits de nettoyage corrosifs et abrasifs, de tampons et de produits de nettoyage pour four. Les ébréchures, les bosses ou les fissures dues à un abus, une mauvaise utilisation, des dommages dus au transport ou une installation incorrecte. Dommages du produit causés par un accident, une fire, des floods ou un cas de force majeure. Le fabricant et/ou le distributeur/revendeur ne sont pas responsables, et ne couvrent pas sous garantie, toute perte de propriétés ou tous les coûts associés au retrait, à l'entretien, à l'installation ou à la détermination de la source des problèmes de ce produit.

Cette garantie est valable dans le pays de l'achat initial au détail. Elle n'est pas transférable et s'applique uniquement à l'acheteur d'origine et ne s'étend pas aux propriétaires ultérieurs de ce produit. Toute garantie implicite applicable, y compris la ~~garantie~~ de qualité marchande, est limitée à une période de garantie expresse telle que prévue dans le présent document, à compter de la date d'achat initial au détail, et aucune garantie, expresse ou implicite, ne s'appliquera à ce produit par la suite.

Pour obtenir un service de garantie, vous pouvez contacter le revendeur local auprès duquel vous avez acheté ce produit. Veuillez confirmer les termes des politiques de votre revendeur local avant de le contacter. En général, vous devez inclure les informations d'identification du produit, y compris le numéro de modèle et le numéro de série avec une description détaillée du problème que vous rencontrez. Vous devez également inclure la preuve de la date de l'achat au détail original comme preuve que le produit est dans la période de garantie applicable.

Avis de non-responsabilité

Inspectez soigneusement tous les articles pour déceler tout dommage avant d'accepter la livraison. Notez tout dommage sur la facture de fret ou le reçu express. Demandez le nom et la signature de l'agent du transporteur et conservez une copie pour appuyer votre réclamation. En acceptant les articles, le propriétaire assume la responsabilité de leur arrivée à bon port. Signalez les dommages au transporteur et file une réclamation immédiatement. Si vous ne le faites pas, votre demande pourrait être refusée. L'assureur vous fournira les formulaires nécessaires pour filing une demande de règlement.

Les dommages causés pendant le transport ne sont pas couverts par notre garantie. Veuillez nous contacter pour filer une demande d'assurance.

Veillez inspecter soigneusement le contenu du ou des colis à la réception ! Nous devons être notifiés de tout dommage et/ou pièce manquante dans les five (5) jours suivant votre réception du ou des colis. Les réclamations ne seront pas acceptées après les five (5) jours. REMARQUE : Les articles ont été soigneusement testés et emballés dans notre usine avant d'être expédiés.

Les produits doivent être retournés en bon état de fonctionnement avec TOUTES les pièces et la documentation d'origine, emballés dans TOUS les cartons, fillers et cartons d'expédition d'origine. Des frais de restockage de 15 % seront facturés pour tout retour approuvé. Les échanges ou les retours peuvent ne pas être acceptés si un emballage est manquant.

Veillez à inspecter la hotte pour détecter les dommages et les défauts avant l'installation. Les flaws d'apparence de la hotte trouvés après l'installation et n'affectant pas les performances de la hotte ne sont pas couverts par notre garantie pour les retours ou les échange- es. Les visites de service non couvertes par la garantie entraîneront des frais de service.

Avant l'installation : Retourner pour échange ou remboursement (voir ci-dessus pour les retours acceptés). Après l'installation : **PAS** d'échange ni de remboursement.

Nous contacter

Si vous avez besoin d'aide, veuillez contacter votre revendeur local. Veuillez préparer votre numéro de commande et le modèle de la hotte. Ces informations les aideront à mieux répondre à votre demande.

Si vous avez besoin de pièces de rechange, nous vous recommandons d'utiliser uniquement des pièces d'origine. Nos accessoires et pièces sont conçus et dessinés spécifiquement pour cette série de hottes de cuisine, chacun est rigoureusement testé pour assurer une durabilité et une fiabilité optimales, offrant une apparence et une fonctionnalité adaptées à chaque modèle de hotte de cuisine.