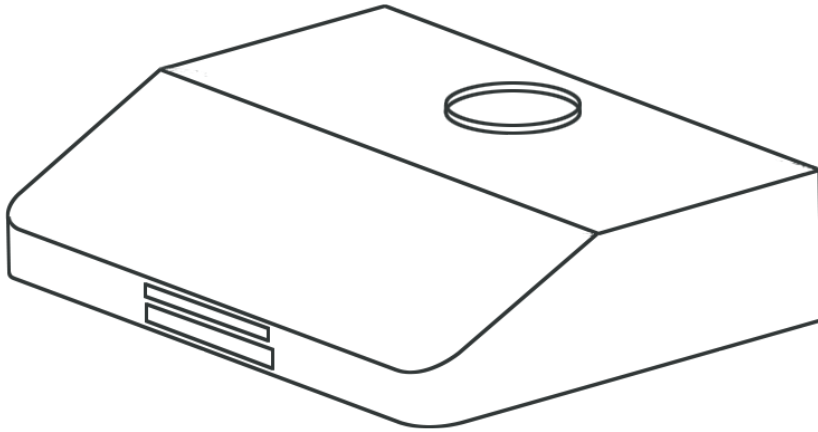


ONEX



RANGE HOOD

USER MANUAL

MODEL NO.:OHF96R

HOTTE DE CUISINIÈR

MANUEL D'UTILISATION

N° DE MODÈLE : OHF96R

Table of Contents

Safety Information	1
Warranty	2
Pre-installation	3
Installation	7
Operation	9
Maintenance	10
Care and Cleaning	11
Troubleshooting	12

Safety Information

READ AND SAVE THESE INSTRUCTIONS FOR DOMESTIC COOKING ONLY

INSTALLER: Leave this manual with the homeowner.

HOMEOWNER: Use and Care information on Page

If hood is to be installed Non-Ducted (Recirculation), then purchase a set of (2) non-ducted charcoal filters from your local distributor or retailer and attach them to the motor.

WARNING

SUITABLE FOR USE IN HOUSEHOLD COOKING AREA.

TO REDUCE THE RISK OF FIRE, ELECTRICAL SHOCK, OR INJURY TO PERSONS, OBSERVE THE FOLLOWING:

1. Use this unit only in the manner intended by the manufacturer. If you have the questions, contact the manufacturer at the email address or telephone number listed in the warranty.
2. Before servicing or cleaning unit, switching power off at service panel and lock service panel to prevent power from being switched on accidentally. When the service disconnecting means cannot be locked, securely fasten a prominent warning device, such as a tag, to the service panel.
3. Installation work and electrical wiring must be done by a qualified personnel in accordance with all applicable codes and standards, including fire-rated construction codes and standards.
4. Sufficient air is needed for proper combustion and exhausting of gases through the flue (chimney) of fuel burning equipment to prevent back drafting. Follow the heating equipment manufacturer's guidelines and safety standards such as those published by the National Fire Protection Association (NFPA), and the American Society for Heating, Refrigeration and Air Conditioning Engineers (ASHRAE), and the local code authorities.
5. When cutting or drilling into wall or ceiling, do not damage electrical wiring and other hidden utilities.
6. Ducted fans must always be vented to the outdoors.
7. Do not use this unit with any solid-state speed control device.
8. To reduce the risk of fire, use only steel ductwork.
9. This unit must be grounded.

TO REDUCE THE RISK OF A RANGE TOP GREASE FIRE:

- A. Never leave surface units unattended at high settings. Boil overs cause smoking and greasy spillovers that may ignite. Heat oils slowly on low or medium settings.
- B. Always turn hood ON when cooking at high heat or when cooking flaming foods.
- C. Clean ventilating fans frequently. Grease should not be allowed to accumulate on fan or filter.
- D. Use proper pan size. Always use cookware appropriate for the size of the surface element.

WARNING

TO REDUCE THE RISK OF INJURY TO PERSONS IN THE EVENT OF A RANGE TOP GREASE FIRE, OBSERVE THE FOLLOWING*:

1. SMOTHER FLAMES with a close-fitting lid, cookie sheet or metal tray, then turn off the burner. BE CAREFUL TO PREVENT BURNS. IF THE FLAMES DO NOT GO OUT IMMEDIATELY, EVACUATE AND CALL THE FIRE DEPARTMENT.
2. NEVER PICK UP A FLAMING PAN – You may be burned.
3. DO NOT USE WATER, including wet dishcloths or towels – This could cause a violent steam explosion.
4. Use an extinguisher ONLY if:
 - A. You own a Class ABC extinguisher and you know how to operate it.
 - B. The fire is small and contained in the area where it started.
 - C. The fire department has been called.
 - D. You can fight the fire with your back to an exit.

*Based on "Kitchen Fire Safety Tips" published by NFPA.

CAUTION

1. For general ventilating use only. Do not use to exhaust hazardous or explosive materials and vapors.
2. To avoid motor bearing damage and noisy and/or unbalanced impellers, keep drywall spray, construction dust, etc. off power unit.
3. For the best capture of cooking impurities, your range hood should be mounted so that the top of the hood is 26"-30" above the cooking surface (min 26" for electric cooktop, 28" for gas cooktop). The minimum hood distance above cooktop must not be less than 26"; any installation less than 26" may cause over heat and cause damage to the range hood, Chef does not warrant this improper installation.
4. Two installers are recommended because of the larger size and weight of this hood.
5. To reduce the risk of fire and to properly exhaust air, be sure to duct air outside – Do not exhaust air into spaces within walls and ceiling or into attics, crawl space or garages.
6. Because of the high exhausting capacity of this hood, you should make sure enough air is entering the house to replace exhausted air by opening a window close to or in the kitchen.
7. Use with approved cord-connection kit only.
8. Please read specification label in product for further information and requirements.

Warranty

This range hood is warranted to the original purchaser to be free of defects in material and workmanship for two(2) years from the date of purchase. Our obligation shall be limited to the repair or replacement of a unit (at our discretion) that may prove, by our sole examination, to be defective under normal use and service during the warranty period. We may issue credit in the amount of the invoice value of the defective product (or a percentage of it according to use) in lieu of repair or replacement. Any failure of this product that is not traceable to a defect in material or workmanship is not covered by this warranty. These non-warrantable items include, but are not limited to:

- Any defects or damage to light bulbs
- Change in color or finish due to chemical usage
- Improper installation not in accordance with the instructions
- Dents, bumps, and scratches incurred during shipping, handling, or installation
- Damage caused by failure to follow care and cleaning guidelines, including damage caused by the use of abrasive cleaners
- Alterations made to the unit by the purchaser or installer
- Damage caused by accidental impact, fire, flood, freezing, and normal wear
- Bends and warping caused by forced connections, over-tightened fittings, and inadequate support during installation

A thorough inspection must be made before installation and any damage must be promptly reported. We will not be liable for failures or damage that could have been discovered or avoided by proper inspection and testing prior to installation.

Incidental repairs that would involve a minimum of time and effort on behalf of the purchaser will not be considered warranty work and no compensation will be deemed forth coming.

This warranty is non-transferable and shall be voided if the unit is removed from its initial installation or if it is not installed following the instructions.

Under no circumstance shall we be held liable for personal injury or property damage resulting from improper installation or use of this product. We will not be held liable for inconvenience caused by loss of use of this product, costs incurred for labor or materials, removal and installation of replacement units, or any other incidental or consequential damages. Costs relating to obtaining access for repair or replacement are the responsibility of the user.

This warranty does not extend to commercial and institutional installation or use.

WARRANTY CLAIM PRODEDURE

If a claimable defect occurs, please contact our customer service team at

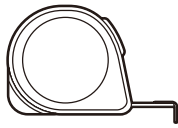
Before you make your claim call, please ensure that you have:

- Description of the range hood
- Proof of sale
- Details regarding the defect
- Name(s) and address(es) of the owner and installer

Claims must be filled out in writing and returned within six (6) months of the appearance of a defect. Failure to comply with this stipulation will make this warranty null and void. We reserve the right to a thirty-day (30) delay following the receipt of a claim in which to inspect the product. We assume no responsibility for labor costs, removing or replacing a previously installed product, transportation, or the return of a product.

Pre-installation

TOOLS REQUIRED



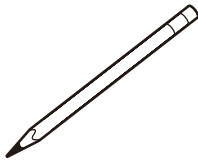
Measuring tape



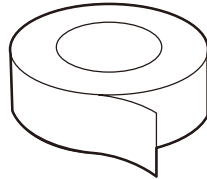
Level



Utility knife



Pencil



Tape



Adjustable wrench



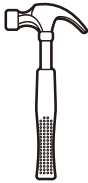
Phillips screwdriver



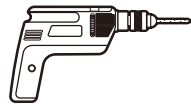
Flathead screwdriver



Needle nose pliers



Hammer



Electric drill



Safety goggles

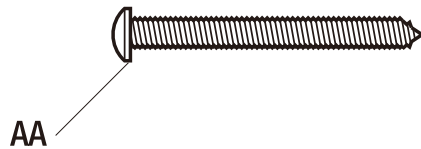


Safety gloves

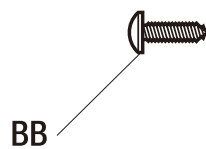
HARDWARE EXAMPLE



NOTE: Hardware not shown to actual size.



AA

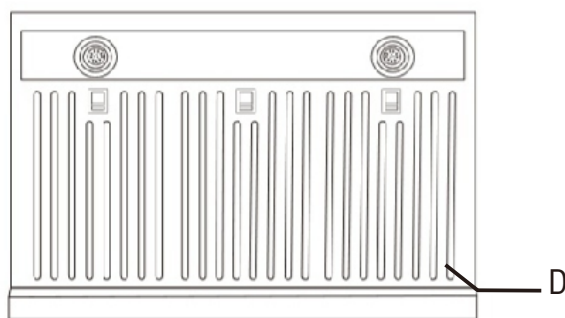
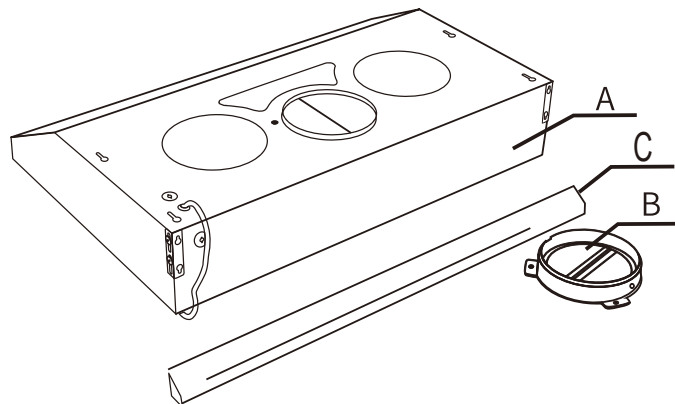


BB

Part	Description	Quantity
AA	Under cabinet mounting screws	4
BB	Outlet adapter mounting screws	3

Pre-installation (continued)

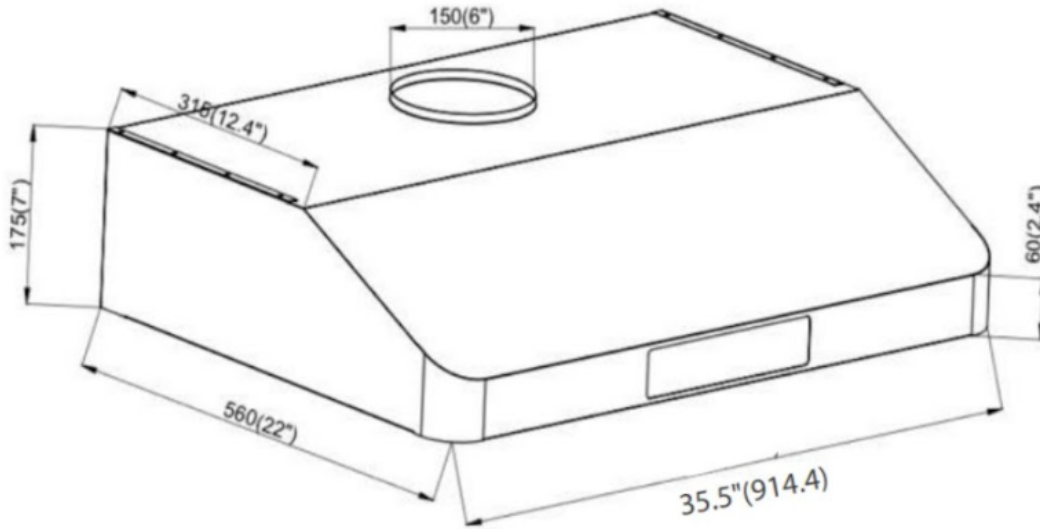
PACKAGE CONTENTS



Part	Description	Quantity
A	Range hood	1
B	Vertical round outlet adapter	1
C	Stainless Steel Oil Tray	1
D	Baffle filters	3

Pre installation (continued)

SPECIFICATIONS



Dimensions	Volts	Hertz	Fan CFM	Speeds	Light Wattage	Stainless Steel Grade
755mm(29 1/2")	120	60	900	6	2Wx2	430
540mm(21 1/4")						
200mm(8")						

PLANNING INSTALLATION

Before proceeding to install, please make sure you thoroughly inspect the range hood for any possible damages or missing parts. If you identify that there are missing or damaged parts, we advise you to contact the relevant personnel as soon as possible to have the issues rectified. We also strongly recommend that you are completely satisfied with the item before you dispose of its packaging. In addition, we recommend testing the range hood by establishing a temporary connection to an outlet and turn on the fan and lights.

Please note:

If you fail to read instructions carefully on how to install effectively, we will not be responsible for any damages incurred on your part.

We highly recommend reading this manual carefully before proceeding to install or using the range hood.

You should use this range hood in duct mode only, meaning allowing to duct fume to the outside at all times.

We recommend hiring a certified technician to complete the installation of this range hood.

Please check to ensure the main voltage is in line with the required voltage outlined on the rating plate inside the hood.

You need to check the domestic power supply to guarantee adequate earthing before installation.

Do not connect the range hood to any form of exhaust ducts carrying combustion fumes such as fireplaces, boilers or any similar items.

While using the hood with non-electrical appliances, you provide adequate clean air ventilation. Adequate and clear ventilation eliminates or reduces the backflow of exhaust gas to penetrate the area.

The minimum clearance between the cooking surface and the bottom of the range hood is between 24" and 30". However, the distances do vary for some appliances such as those with gas hobs which **MUST** be followed precisely. Do not exceed the maximum height of 30" while in operation.

Carefully remove the plastic protective film from the surface of the stainless hoods before installation.

CAUTION: Please hire a certified technician for installation to eliminate the risks of fires or electrical shock. Since the hood has sharp edges, it is highly recommended to use safety gloves. Make sure to avoid damage to the hood when using electrical screwdriver. In order to avoid malfunction, ensure that no debris enters the opening vent.

NOTE: The appliance may require two or more persons during the installation as it carries weight which may cause physical injuries if worked on alone.

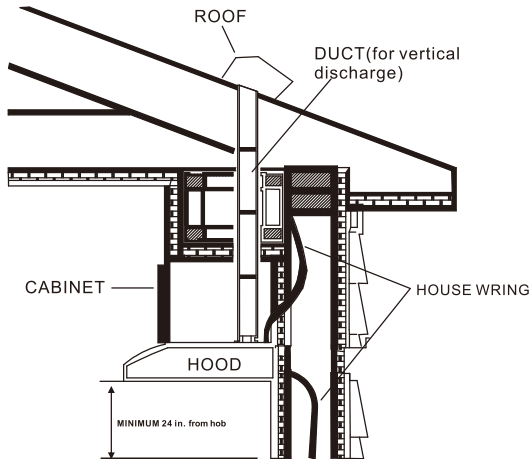
Installation

CONNECTION

This appliance can be installed in ducting version only.

DUCTING VERSION

The duct and the roof/wall cap should be sourced locally.



Determine whether the hood discharge vertically round (6 in.)

For vertically run ductwork between the hood location and the roof cap or wall cap. For the best result, use a minimum number of transitions and elbows.



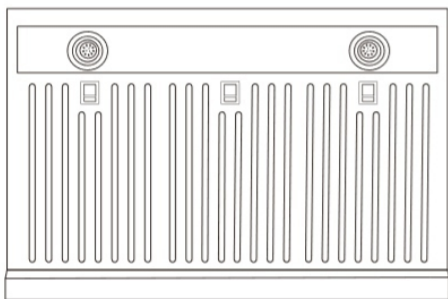
WARNING: To reduce the risk of fire, use only metal duct work.

INSTALLATION

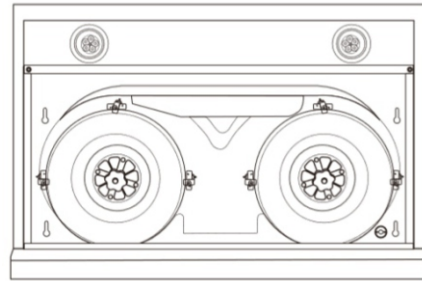
This INSTALLATION primarily consists of Preparation, Venting Requirements, Clearance, Hood Installation, Ductwork, Electrical Work and Final Steps.

Preparation:

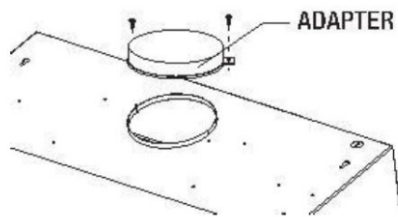
1. If you need to remove the range, be sure to turn off the range's power from the main switch. Turn off the main gas supply in case it is a gas range.



2. Remove the baffle filters or Aluminum filter by pulling the level out and slowly remove them from the range hood.



3. Duct installation:
Vertically Discharge:
Attach round (6 in.) outlet adapter and securely fasten the adapter with two screws.



4. Measure the size of the outlet adapter relative to the cabinet and create an opening in the cabinet to let pass the outlet adapter and power cable. Make sure there is excess opening to accommodate electrical wires and hood exhaust. If you are installing the hood under the cabinet with a recessed bottom, it is advised to use a 4" wood fillers on both the sides.

Installation (continued)

Venting Requirements:

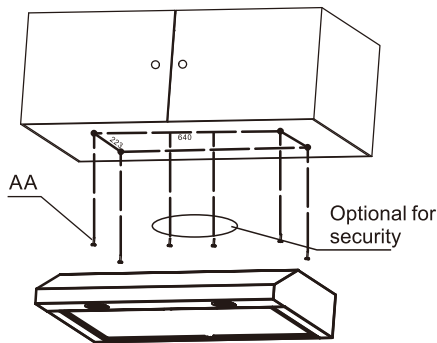
5. Hold the hood in position under the cabinet. For ducted installation, ensure that the outlet adapter enters ductwork and the damper opens and closes freely; otherwise it would greatly impact the hood's performance such as lower suction power and louder operation.
6. As far as venting is concerned, decide a suitable location of the venting pipe from the hood to outside by having a straight, short vent run.
7. Try to use aluminum ducts with a uniform size and try to avoid any elbows and if at all an elbow is required, a minimum of 12" straight run is imperative before the elbow.

Clearance:

8. Clearance is related to the distance between cook top and bottom of the range hood and it should be in the range of 24" to 30". For gas range, the required distance is 30".
9. Clearance is very important because installing below the range may result in some hazard/fire and installing above the range would decrease the overall performance.

Hood Installation:

10. For the hood installation, remove all the protective layers from the hood.
11. From the bottom of the hood, carefully place the screws in each of the pre-drilled mounting holes. Be sure that the hood is bolted to the cabinet before removing support.



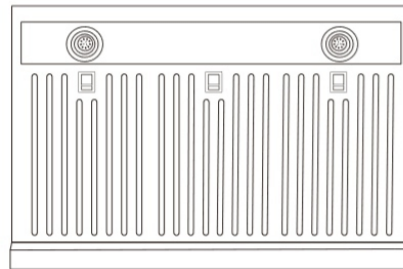
Ductwork:

13. After the hood is properly fixed, attach a pipe onto the hood exhaust.
14. Then tighten the joint with the aluminum foil and ensure that it is thoroughly airtight.

Electrical Work:

15. Plug the power cable to a pre-installed duplex outlet.

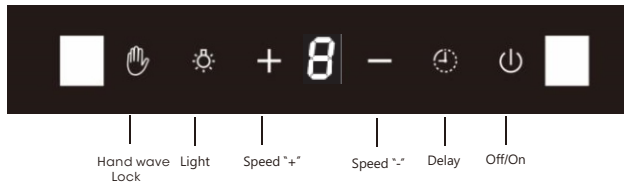
Final Steps:



16. Reinstall the baffle filters
17. Keep and store this manual

Operation

The hood is operated using 6 speeds touch control switch on the front panel.



(1) Off/On

Touch Off/on button, then touch speed button the hood will start operation. If you touch Off/on button again the hood will automatically turn off after 60 seconds. By touch third time to stop operation immediately.

Adjust “+” of the speed

When hood is operation, touch speed “+” to increase the fan speed

Adjust “-” of the speed

When hood is operation, touch speed “-” to reduce the fan speed

Light

This range hood offers par LED Lamp By touching the light button. to change the bright level or turn on/off the light.

Delay

When the hood is operation touch “Delay” button to enter delay setting mode, Press speed “+” and speed “-” button to set the min, 9 min is available to set.

Hand Wave Lock

When the hood off operation touch “Hand wave lock” button to start Hand wave mode



CAUTION: Unplug or disconnect the appliance from the power supply before servicing.



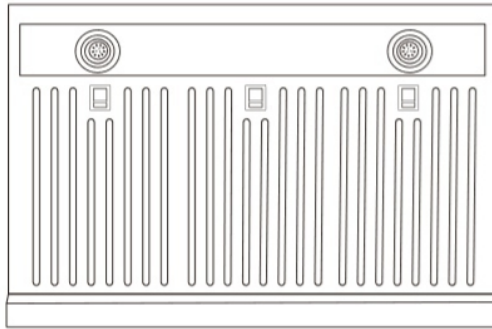
CAUTION: The unit is for general ventilating use only. Do not use to exhaust hazardous or explosive materials and vapors

Maintenance

STAINLESS STEEL GREASE BAFFLE FILTER

Maintenance is important for an effective functioning appliance. Here are a few maintenance tips to consider:

- Cleaning the grease filters frequently, such as every two weeks or more so after heavy use. You can use a warm detergent mixture for efficient grease cleaning.
- Baffle filter and Aluminum filter are easy to clean and are dishwasher safe.



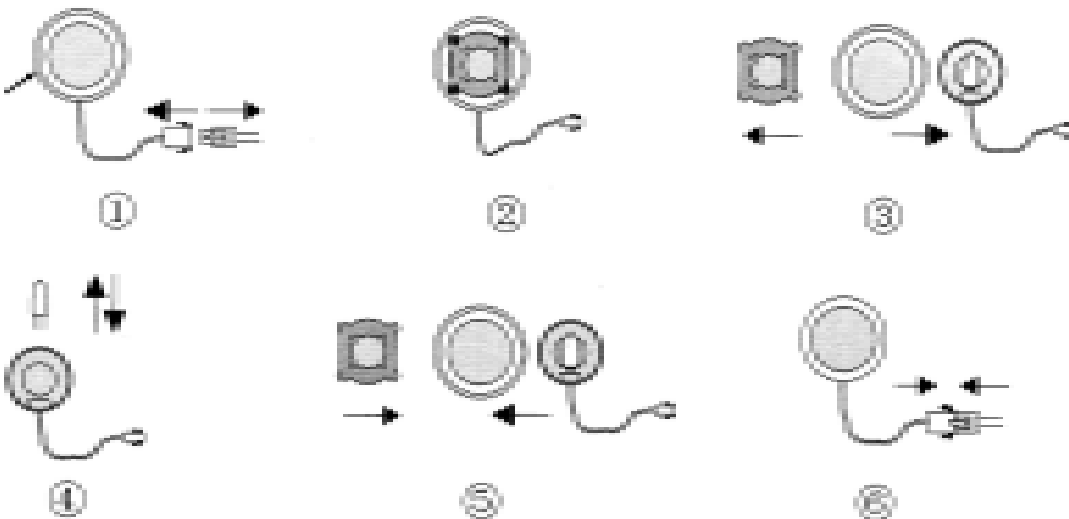
How to clean:

1. Disengage the baffle filter or aluminum filter from the hood by pull the lever and slowly take the filter down.
2. Clean the filters with a warm detergent solution carefully without bending and then set to dry before putting it back.
3. Reinstall the baffle filters.

LIGHTING

Lamp Replacements

Ask your dealer or visit our website to buy the latest version of LED



Care and Cleaning

This range hood has an excellent durability period with proper care; it can last in performance and appearance. Here are a few do's and don't's for caring for your range hood.



WARNING: Failure to maintain basic standards of care and cleaning of the range hood will increase the risk of fire.

Do

- Proper cleaning of the range hood involves the use of warm or close to hot soapy water and clean with a gentle cloth.
- Clean the hood in line and direction of the original polish line on the hood.
- After soap cleaning, rinse the hood properly with clean water 2-3 times and gently wipe with a soft, clean cloth.
- You can use a non-abrasive stainless steel polish for a finer touch if desired.
- If there is venting systems installed, check on a regular basis to ensure it is not clogged or has debris.

Do Not

- Do not clean the hood with abrasive or detergents containing corrosive agents. Please avoid detergents with elements such as chloride, iodide, fluoride and some other agents. These will only damage the hood surface materials.
- Do not leave soaps or other detergents on the hood for too long. The agents will only damage the product material. You need to rinse as soon as possible with clean water.
- Do not leave the hood dirty for too long as the dirt particles will easily damage the different sections of the hood.
- Do not let particles especially construction types enter the hood. When mass cleaning or renovating, ensure you cover the hood properly to reduce elements lodging in the hood.
- Cleaning agents such as alcohol and other flammable agents should not be used near the range of the stove as these may cause explosions.

Trouble Shooting

DANGER: Please turn off the power circuit or power breaker panel before trouble shooting this range hood. Failure to do so can cause death or serious injury to personal from the live electrical energy involved.

If your range hood has developed issues and you need troubleshooting solutions, you can get assistance from these below. If after trying you are still experiencing problems, you may need to contact a technician to assess.

Problem	Solution
My range hood won't work	<ol style="list-style-type: none"> 1. Make sure that all the power supply and wiring are connected securely. 2. Double check to see if the power breaker is on or the power supply is live. 3. Check to see that the control panel cables are connected correctly to the switchboards.
The range hood vibrates when the fan is operating	<ol style="list-style-type: none"> 1. Check to ensure the hood is firmly secured to the wall or the cabinet. If not, you need to bolt it tightly to the cabinet or wall to prevent vibrations. 2. Confirm that the motor is firmly in place and secured safely. If it is not, then you may tighten. 3. Sometimes the fan can be damaged so you need to confirm this. If it is damaged, you may need to replace it.
The fans are operating weakly	<ol style="list-style-type: none"> 1. Double check on the duct size as the effective functionality will not be possible with insufficient duct size. 2. If debris or any other particles are clogged in the duct, clean it. Also, check to make sure the mesh enclosure on the hood is receiving proper air ventilation. 3. If possible, check to see that the damper is functioning properly regarding the opening.
The fan is not working properly even though the lights are working	<ol style="list-style-type: none"> 1. Double check that the fan is not jammed or that it is not scraping any of the surfaces of the hood. 2. If the issue cannot be solved with a simple check, you may need to replace the motor as it may be defective.
Why is my vent hood malfunctioning?	<ol style="list-style-type: none"> 1. Bear in mind that the minimum distance between the cooking area and the appliance should be 24" or 30" maximum. Check to see if this is correct. 2. Make sure that the duct is not susceptible to easy wind opening. 3. If you are doing the heavy cooking or light cooking, make sure the speed is at the appropriate rate. The heavier the cooking, the greater the speed of the hood should be set. 4. Maximum air ventilation through doors and windows can be a major problem for the hood while in use. Closing the windows and doors will allow the vent to work much better. 5. As noted, during the installation process, all duct works must be effectively done to eliminate the risk of developing problems. You may reduce the length of the ductwork or alter it in any other POSSIBLE way to fix the issue. Also, make sure all joinery are sealed and secured properly.
My light is not working well	<ol style="list-style-type: none"> 1. If you have a faulty light, check to see if it is loose and needs to be tightened. 2. If tightening does not fix the problem, try replacing the defective bulb with a new one and see if that solves the issue. 3. If replacement and/or tightening does not solve, you may need to replace the lighting service system on the hood.

Informations sur la sécurité.....	14
Garantie	15
Pré-installation.....	16
Installation.....	20
Opération.....	22
Maintenance.....	23
Entretien et nettoyage	24
Dépannage.....	25

Informations sur la sécurité

LISEZ ET CONSERVEZ CES INSTRUCTIONS POUR LA CUISINE DOMESTIQUE UNIQUEMENT

INSTALLATEUR : Laissez ce manuel au propriétaire.

PROPRIÉTAIRE : Informations d'utilisation et d'entretien sur la page

Si la hotte doit être installée sans conduit (recirculation), achetez un ensemble de (2) filtres à charbon sans conduit auprès de votre distributeur ou détaillant local et fixez-les au moteur.

AVERTISSEMENT

CONVIENT POUR UNE UTILISATION DANS UNE ZONE DE CUISSON DOMESTIQUE.

POUR RÉDUIRE LES RISQUES D'INCENDIE, DE CHOC ÉLECTRIQUE OU DE BLESSURE, RESPECTEZ LES CONSIGNES SUIVANTES :

1. N'utilisez cet appareil que de la manière prévue par le fabricant. Si vous avez des questions, contactez le fabricant à l'adresse électronique ou au numéro de téléphone indiqués dans la garantie.
2. Avant de procéder à l'entretien ou au nettoyage de l'appareil, coupez l'alimentation au niveau du panneau de service et verrouillez ce dernier pour éviter toute remise sous tension accidentelle. Lorsqu'il n'est pas possible de verrouiller le dispositif de déconnexion du service, fixez solidement un dispositif d'avertissement bien visible, tel qu'une étiquette, sur le panneau de service.
3. Les travaux d'installation et le câblage électrique doivent être effectués par un personnel qualifié, conformément à tous les codes et normes applicables, y compris les codes et normes de construction résistant au feu.
4. Une quantité suffisante d'air est nécessaire pour une bonne combustion et l'évacuation des gaz par le conduit de fumée (cheminée) de l'équipement de combustion, afin d'éviter tout refoulement. Suivez les directives du fabricant de l'équipement de chauffage et les normes de sécurité telles que celles publiées par la National Fire Protection Association (NFPA), l'American Society for Heating, Refrigeration and Air Conditioning Engineers (ASHRAE) et les autorités locales.
5. Lorsque vous coupez ou percez un mur ou un plafond, n'endommagez pas les câbles électriques et autres équipements cachés.
6. Les ventilateurs à conduit doivent toujours être évacués vers l'extérieur.
7. N'utilisez pas cet appareil avec un dispositif de contrôle de vitesse à semi-conducteurs.
8. Pour réduire le risque d'incendie, utilisez uniquement des conduits en acier.
9. Cet appareil doit être mis à la terre.

POUR RÉDUIRE LE RISQUE D'UN FEU DE GRAISSE SUR LA CUISINIÈRE :

- A. Ne laissez jamais les unités de surface sans surveillance à des réglages élevés. Les débordements provoquent de la fumée et des projections de graisse qui peuvent s'enflammer. Faites chauffer les huiles lentement sur des réglages bas ou moyens.
- B. Mettez toujours la hotte en marche lorsque vous cuisinez à haute température ou lorsque vous faites cuire des aliments enflammés.
- C. Nettoyez fréquemment les ventilateurs. La graisse ne doit pas s'accumuler sur le ventilateur ou le filtre.
- D. Utilisez une casserole de taille appropriée. Utilisez toujours des ustensiles de cuisson adaptés à la taille de l'élément de surface.

AVERTISSEMENT

POUR RÉDUIRE LES RISQUES DE BLESSURES EN CAS DE FEU DE GRAISSE SUR LE DESSUS DE LA CUISINIÈRE, RESPECTEZ LES CONSIGNES SUIVANTES* :

1. ÉTOUFFEZ LES FLAMMES avec un couvercle bien ajusté, une plaque à biscuits ou un plateau métallique, puis éteignez le brûleur. SOYEZ PRUDENT POUR ÉVITER LES BRÛLURES. SI LES FLAMMES NE S'ÉTEignent PAS IMMÉDIATEMENT, ÉVACUEZ LES LIEUX ET APPELEZ LES POMPIERS.
 2. Ne jamais ramasser une casserole enflammée - Vous pourriez vous brûler.
 3. N'UTILISEZ PAS D'EAU, y compris des torchons ou des serviettes humides - Cela pourrait provoquer une violente explosion de vapeur.
 4. Utilisez un extincteur UNIQUEMENT si :
 - A. Vous possédez un extincteur de classe ABC et vous savez comment l'utiliser
 - B. Le feu est petit et contenu dans la zone où il a démarré.
 - C. Les pompiers ont été appelés.
 - D. Vous pouvez combattre le feu en tournant le dos à une sortie.
- *Selon le document "Kitchen Fire Safety Tips" publié par la NFPA.

ATTENTION

1. Pour une utilisation générale de ventilation uniquement. Ne pas utiliser pour évacuer des matières et des vapeurs dangereuses ou explosives.
2. Afin d'éviter d'endommager les roulements du moteur et de rendre les roues bruyantes et/ou déséquilibrées, évitez de pulvériser des cloisons sèches, de la poussière de construction, etc. sur le groupe moteur.
3. Pour capturer au mieux les impuretés de cuisson, votre hotte de cuisinière doit être installée de manière à ce que le haut de la hotte se trouve entre 26 et 30 pouces au-dessus de la surface de cuisson (26 pouces au minimum pour une table de cuisson électrique, 28 pouces pour une table de cuisson au gaz). La distance minimale de la hotte au-dessus de la surface de cuisson ne doit pas être inférieure à 26 po ; toute installation inférieure à 26 po peut entraîner une surchauffe et endommager la hotte de la cuisinière ; Chef ne garantit pas cette installation inadéquate.
4. Deux installateurs sont recommandés en raison de la taille et du poids de cette hotte.
5. Pour réduire le risque d'incendie et évacuer correctement l'air, veillez à canaliser l'air à l'extérieur - N'évacuez pas l'air dans les espaces situés entre les murs et le plafond ou dans les greniers, les vides sanitaires ou les garages.
6. En raison de la grande capacité d'évacuation de cette hotte, vous devez vous assurer qu'une quantité suffisante d'air entre dans la maison pour remplacer l'air évacué en ouvrant une fenêtre à proximité ou dans la cuisine.
7. À utiliser uniquement avec le kit de connexion de cordon approuvé.
8. Veuillez lire l'étiquette de spécification dans le produit pour de plus amples informations et exigences.

Garantie

Cette hotte est garantie à l'acheteur original contre tout défaut de matériau et de fabrication pendant 1 ans à compter de la date d'achat.

Notre obligation se limitera à la réparation ou au remplacement d'un appareil (à notre discrétion) qui s'avérerait, après notre seul examen, défectueux dans des conditions normales d'utilisation et d'entretien pendant la période de garantie. Nous pouvons émettre un crédit d'un montant égal à la valeur facturée du produit défectueux (ou un pourcentage de celle-ci selon l'utilisation) au lieu de la réparation ou du remplacement. Toute défaillance de ce produit qui n'est pas imputable à un défaut de matériau ou de fabrication n'est pas couverte par cette garantie. Ces éléments non garantis comprennent, sans s'y limiter, les éléments suivants :

- Tout défaut ou dommage aux ampoules
- Changement de couleur ou de finition dû à l'utilisation de produits chimiques
- Installation incorrecte, non conforme aux instructions
- Les bosses, les bosses et les éraflures survenues pendant l'expédition, la manutention ou l'installation.
- Dommages causés par le non-respect des consignes d'entretien et de nettoyage, y compris les dommages causés par l'utilisation de nettoyeurs abrasifs.
- Modifications apportées à l'appareil par l'acheteur ou l'installateur
- Dommages causés par un impact accidentel, un incendie, une inondation, le gel et l'usure normale.
- Cintrages et déformations causés par des connexions forcées, des raccords trop serrés et un support inadéquat pendant l'installation.

Une inspection approfondie doit être effectuée avant l'installation et tout dommage doit être signalé rapidement. Nous ne serons pas responsables des défaillances ou des dommages qui auraient pu être découverts ou évités par une inspection et des tests appropriés avant l'installation.

Les réparations accessoires qui impliqueraient un minimum de temps et d'efforts de la part de l'acheteur ne seront pas considérées comme des travaux sous garantie et aucune compensation ne sera jugée à venir.

Cette garantie n'est pas transférable et sera annulée si l'appareil est retiré de son installation initiale ou s'il n'est pas installé conformément aux instructions.

En aucun cas, nous ne serons tenus responsables des dommages corporels ou matériels résultant d'une installation ou d'une utilisation incorrecte de ce produit. Nous ne serons pas tenus responsables des inconvénients causés par la perte d'utilisation de ce produit, des coûts de main-d'œuvre ou de matériaux, de l'enlèvement et de l'installation d'unités de remplacement, ou de tout autre dommage accessoire ou indirect. Les coûts liés à l'obtention d'un accès pour réparation ou remplacement sont à la charge de l'utilisateur.

Cette garantie ne s'applique pas aux installations ou utilisations commerciales et institutionnelles.

PROCÉDURE DE DEMANDE DE GARANTIE

Si un défaut donnant lieu à une réclamation se produit, veuillez contacter notre équipe du service clientèle à l'adresse suivante

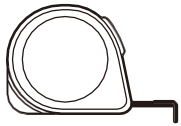
Avant de faire votre appel de réclamation, veuillez vous assurer que vous avez :

- Description de la hotte
- Preuve de la vente
- Détails concernant le défaut
- Nom(s) et adresse(s) du propriétaire et de l'installateur

Les réclamations doivent être remplies par écrit et retournées dans les six (6) mois suivant l'apparition d'un défaut. Le non-respect de cette stipulation rendra cette garantie nulle et non avenue. Nous nous réservons le droit d'accorder un délai de trente (30) jours après la réception d'une réclamation pour inspecter le produit. Nous n'assumons aucune responsabilité pour les frais de main-d'œuvre, le retrait ou le remplacement d'un produit déjà installé, le transport ou le retour d'un produit.

Pré-installation

TOOLS REQUIRED



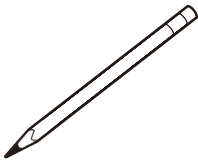
ruban à mesurer



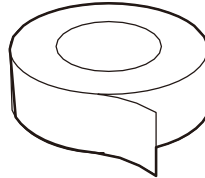
niveau



couteau tout usage



Crayon



ruban adhésif



Adjustable
wrench



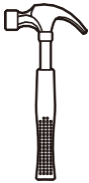
Phillips screwdriver
tournevis



Flathead
screwdriver
tournevis



pince à bec effilé



marteau



perceuse électrique



lunettes de sécurité



gants de sécurité

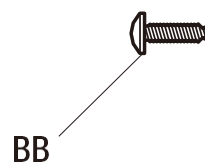
Exemple de matériel



Remarque : le matériel ne correspond pas à la taille réelle



AA

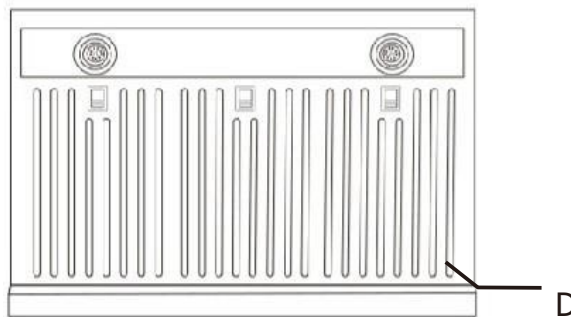
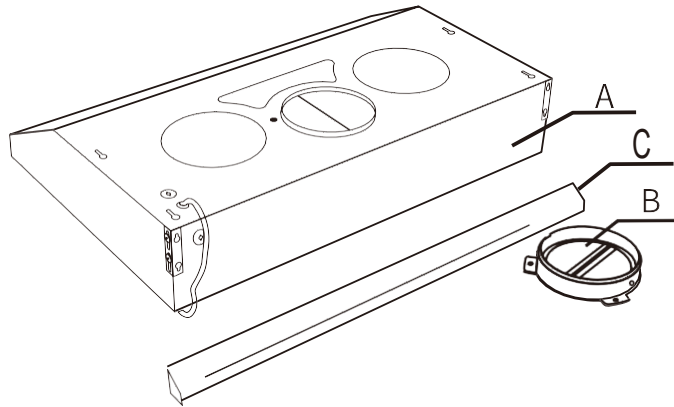


BB

Part	Description	Quantity
AA	Under cabinet mounting screws	4
BB	Outlet adapter mounting screws	3

Pré-installation (a continué)

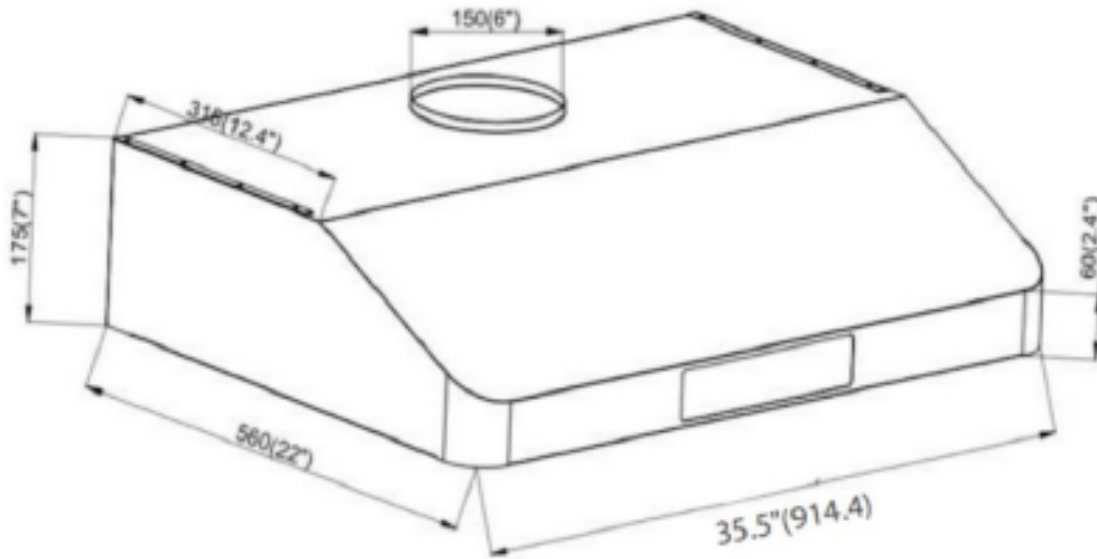
PACKAGE CONTENTS



Part	Description	Quantity
A	Hotte de cuisine	1
B	Adaptateur de sortie ronde verticale	1
C	Bac à huile en acier inoxydable	1
D	Filtres à chicanes	3

Pré installation (a continué)

SPÉCIFICATIONS



Dimensions

755mm(29 1/2")
540mm(21 1/4")
200mm(8")

Volts	Hertz	Ventilateur CFM	Hottese	Light Wattage	Stainless Steel Grade
120	60	900	6	2Wx2	430

Pré installation (a continué)

PLANIFICATION DE L'INSTALLATION

Avant de procéder à l'installation, veuillez à inspecter minutieusement la hotte pour détecter tout dommage éventuel ou toute pièce manquante. Si vous constatez qu'il y a des pièces manquantes ou endommagées, nous vous conseillons de contacter le personnel compétent dès que possible pour faire rectifier les problèmes. Nous vous recommandons également vivement d'être entièrement satisfait de l'article avant de vous débarrasser de son emballage. En outre, nous vous recommandons de tester la hotte en établissant une connexion temporaire à une prise de courant et en allumant le ventilateur et les lumières.

VEUILLEZ NOTER:

Si vous ne lisez pas attentivement les instructions relatives à l'installation efficace, nous ne serons pas responsables des dommages encourus de votre part. Nous vous recommandons vivement de lire attentivement ce manuel avant de procéder à l'installation ou à l'utilisation de la hotte. Vous devez utiliser cette hotte de cuisine en mode conduit uniquement, c'est-à-dire en permettant d'évacuer les fumées vers l'extérieur en tout temps. Nous vous recommandons d'engager un technicien certifié pour effectuer l'installation de cette hotte. Veuillez vérifier que la tension principale est conforme à la tension requise indiquée sur la plaque signalétique à l'intérieur de la hotte. Vous devez vérifier l'alimentation électrique domestique pour garantir une mise à la terre adéquate avant l'installation. Ne raccordez pas la hotte à une forme quelconque de conduit d'évacuation transportant des fumées de combustion, comme des cheminées, des chaudières ou tout autre élément similaire. Lorsque vous utilisez la hotte avec des appareils non électriques, vous devez assurer une ventilation adéquate d'air propre. Une ventilation adéquate et claire élimine ou réduit le reflux des gaz d'échappement pour pénétrer dans la zone. L'espace minimum entre la surface de cuisson et le bas de la hotte se situe entre 24 et 30 pouces. Toutefois, les distances varient pour certains appareils tels que ceux dotés de plaques de cuisson au gaz, qui DOIVENT être respectés avec précision. Ne dépassez pas la hauteur maximale de 30" pendant le fonctionnement. Retirez soigneusement le film de protection en plastique de la surface des hottes en acier inoxydable avant l'installation.

ATTENTION : Veuillez faire appel à un technicien certifié pour l'installation afin d'éliminer les risques d'incendie ou de choc électrique. La hotte ayant des bords tranchants, il est fortement recommandé d'utiliser des gants de sécurité. Veuillez à ne pas endommager la hotte lorsque vous utilisez un tournevis électrique. Afin d'éviter tout dysfonctionnement, veuillez à ce qu'aucun débris ne pénètre dans l'orifice de ventilation.

REMARQUE : L'appareil peut nécessiter deux personnes ou plus pendant l'installation, car il est lourd et peut causer des blessures physiques s'il est utilisé seul.

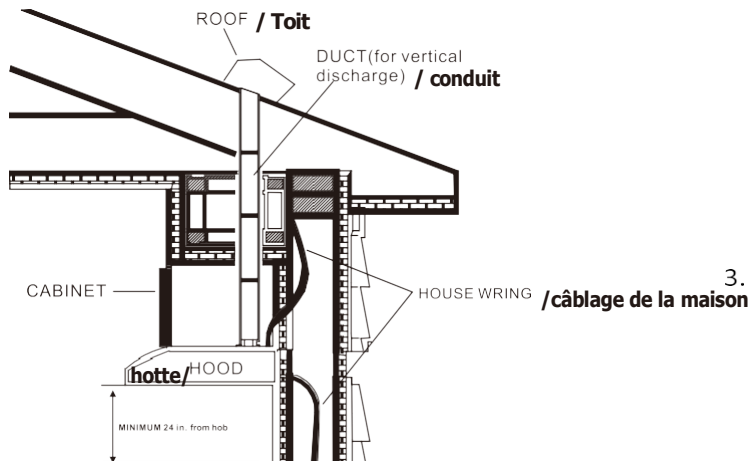
Installation

CONNEXION

Cet appareil ne peut être installé que dans la version avec conduit.

Version avec conduits

Le conduit et le mur du toit doivent être d'origine locale.



Déterminer si la hotte évacue verticalement (verticalement par un évent rond de 6 po)

Pour les conduits posés verticalement entre l'emplacement de la hotte et le capuchon de toit ou le capuchon de mur. Pour un résultat optimal, utilisez un nombre minimal de transitions et de coudes.

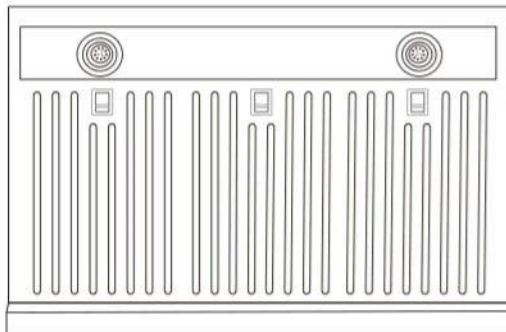
Avertissement : Pour réduire les risques d'incendie, utilisez uniquement des conduits métalliques.

INSTALLATION :

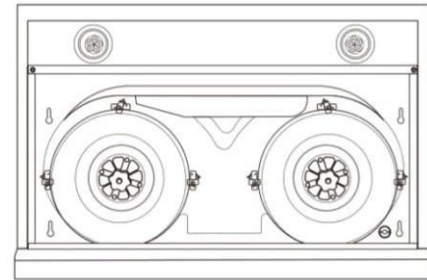
Cette INSTALLATION comprend principalement la préparation, les exigences en matière de ventilation, le dégagement, l'installation de la hotte, les conduits, les travaux électriques et les étapes finales.

Préparations :

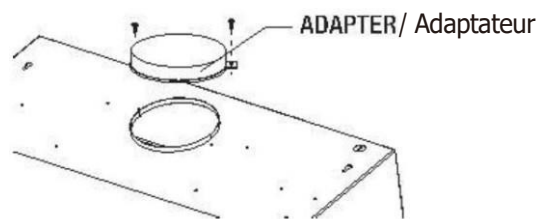
1) Si vous devez retirer la cuisinière, assurez-vous de couper l'alimentation de la cuisinière à partir de l'interrupteur principal. Coupez l'alimentation principale en gaz dans le cas d'une cuisinière à gaz.



2. Retirez les filtres à chicanes ou le filtre en aluminium en tirant le niveau et les retirer lentement de la hotte.



3. Installation de conduits :
Décharge verticale :
Fixez l'adaptateur de sortie rond (6 po) et fixez-le solidement à l'aide de deux vis.



4. Mesurez la taille de l'adaptateur de prise par rapport à l'armoire et créez une ouverture dans l'armoire pour laisser passer l'adaptateur de prise et le câble d'alimentation. Assurez-vous qu'il y a un excédent d'ouverture pour laisser passer les fils électriques et l'évacuation de la hotte. Si vous installez la hotte sous l'armoire avec un bout encastré, il est conseillé d'utiliser des remplissages en bois de 4" sur les deux côtés.

Installation (à continué)

Exigence de ventilation

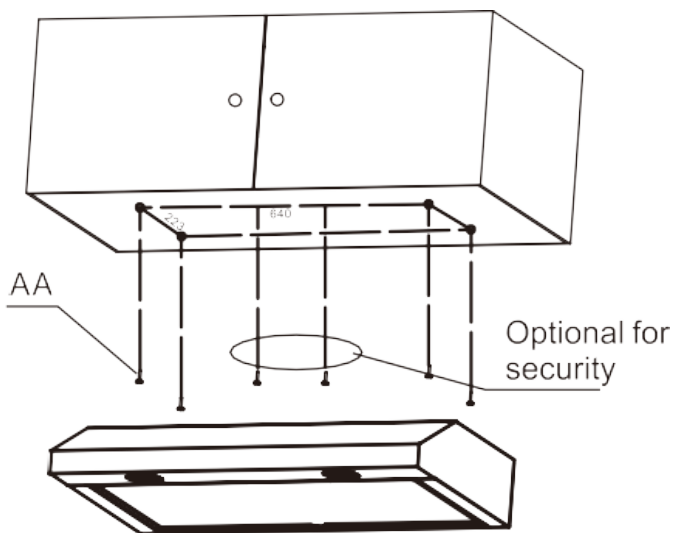
5. Maintenez le ventilateur de la hotte en position sous l'armoire. Pour une installation dans un conduit, assurez-vous que l'adaptateur de sortie entre dans le conduit et que le clapet s'ouvre et se ferme librement : dans le cas contraire, cela aurait un impact important sur les performances de la hotte, comme une puissance d'aspiration plus faible et un bruit plus élevé.
6. En ce qui concerne la ventilation, décidez d'un emplacement approprié pour le tuyau de ventilation de la hotte en ayant un parcours court et droit.
7. Essayez d'utiliser des conduits en aluminium de taille uniforme et essayez d'éviter tout coude. Si un coude est nécessaire, il est impératif de prévoir un parcours rectiligne d'au moins 12 pouces avant le coude.

Dédouanement

8. L'espace libre est lié à la distance entre le dessus et le dessous de la hotte et il doit être compris entre 24 et 30 pouces. Pour les cuisinières à gaz, la distance requise est de 30".
9. L'espace libre est très important car l'installation en dessous de la cuisinière peut entraîner des risques/incendies et l'installation au-dessus de la cuisinière réduira les performances générales.

Installation de la hotte

10. Pour l'installation, retirez toutes les couches de protection de la hotte.
11. Depuis le bas de la hotte, placez soigneusement les vis dans chacun des trous de montage pré-percés. Assurez-vous que la hotte est boulonnée à l'armoire avant de retirer le support.



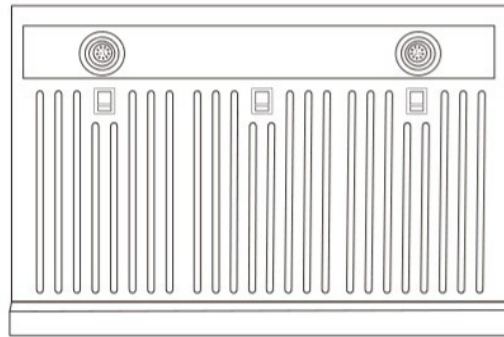
Conduits d'aération

13. Une fois la hotte correctement fixée, fixez un tuyau sur la sortie de la hotte.
14. Serrez ensuite le joint avec la feuille d'aluminium et assurez-vous qu'il est parfaitement étanche à l'air.

Travaux d'électricité

15. Branchez la prise de courant sur la prise duplex préinstallée.

Dernière étape



16. Réinstaller les filtres du déflecteur
17. Conserver et stocker ce manuel

Opération

La hotte fonctionne à l'aide d'un interrupteur à commande tactile à 6 vitesses situé sur le panneau avant.



(1) Arrêt/Marche

Appuyez sur le bouton Off/on, puis sur le bouton de vitesse, la hotte commencera à fonctionner. s'éteint après 60 secondes. En touchant une troisième fois pour arrêter le fonctionnement immédiatement.

Ajustement "+" de la vitesse

Lorsque la hotte fonctionne, touchez la vitesse "+" pour augmenter la vitesse du ventilateur.

Ajustement "-" de la vitesse

Lorsque la hotte fonctionne, touchez la vitesse "-" pour réduire la vitesse du ventilateur.

Lumière

Cette hotte offre par lampe LED. En touchant le bouton d'éclairage, pour modifier le niveau de luminosité ou allumer/éteindre la lumière.

Délai

Lorsque la hotte est en fonctionnement, appuyez sur le bouton "Delay" pour entrer dans le mode de réglage du délai, appuyez sur les boutons de vitesse "+" et "-" pour régler le délai minimum, 9 min sont disponibles pour le réglage.

Verrouillage de l'onde de main

Lorsque la hotte est éteinte, touchez le bouton "Hand wave lock" pour lancer le mode Hand wave.



CAUTION: Unplug or disconnect the appliance from the power supply before servicing.



CAUTION: The unit is for general ventilating use only. Do not use to exhaust hazardous or explosive materials and vapors

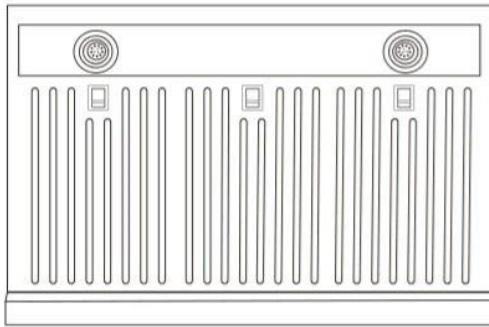
1) Remarque : débranchez l'appareil avant de procéder à l'entretien.

2) Remarque : L'unité est destinée à la ventilation générale uniquement, NE PAS UTILISER pour évacuer des matières et des vapeurs dangereuses ou explosives.

STAINLESS STEEL GREASE BAFFLE FILTER

L'entretien est important pour le bon fonctionnement de l'appareil. Baffle filter

- Nettoyer fréquemment les filtres à graisse, par exemple toutes les deux semaines ou plus après une utilisation intensive. Vous pouvez utiliser un mélange de détergent chaud pour un nettoyage efficace des graisses.
- Le filtre à chicanes et le filtre en aluminium sont faciles à nettoyer et vont au lave-vaisselle.



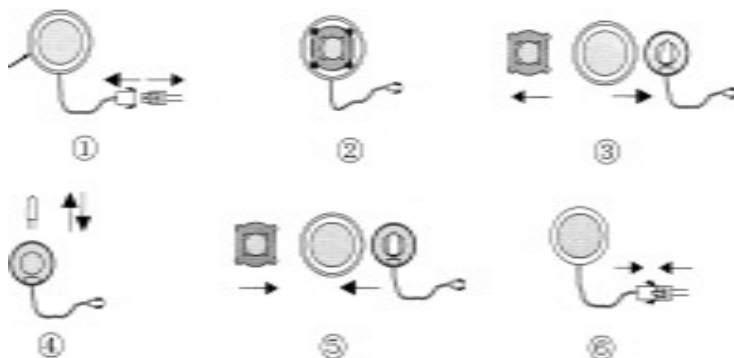
comment nettoyer?

1. Détachez le filtre à chicanes ou le filtre en aluminium du capot en tirant sur le levier et en faisant descendre lentement le filtre.
2. Nettoyez les filtres avec une solution détergente tiède, sans vous pencher, puis laissez-les sécher avant de les remettre en place.
3. Réinstallez les filtres déflecteurs.

Éclairage

Remplacement des lampes

Demandez à votre revendeur ou visitez notre site web pour acheter la dernière version de LED



Entretien et nettoyage

Cette hotte a une excellente période de durabilité ; avec un entretien approprié, elle peut durer en performance et en apparence. Voici quelques conseils pour l'entretien de votre hotte.

AVERTISSEMENT : Si vous ne respectez pas les normes de base d'entretien et de nettoyage de la hotte, vous augmentez le risque d'incendie.

Faites

- Pour nettoyer correctement la hotte, il faut utiliser de l'eau savonneuse tiède ou presque chaude et nettoyer avec un chiffon doux.
- Nettoyez le capot dans l'alignement et le sens de la ligne de polissage originale du capot.
- Après le nettoyage au savon, rincez correctement la hotte à l'eau claire 2 ou 3 fois et essuyez-la délicatement avec un chiffon doux et propre.
- Si vous le souhaitez, vous pouvez utiliser un produit de polissage non abrasif pour acier inoxydable afin d'obtenir une touche plus fine.
- Si un système de ventilation est installé, vérifiez régulièrement qu'il n'est pas bouché ou qu'il ne contient pas de débris.

Ne le faites pas

- Ne nettoyez pas la hotte avec des produits abrasifs ou des détergents contenant des agents corrosifs. Veuillez éviter les détergents contenant des éléments tels que le chlorure, l'iodure, le fluorure et certains autres agents. Ceux-ci ne feront qu'endommager les matériaux de surface de la hotte.
- Ne laissez pas de savon ou d'autres détergents sur la hotte pendant trop longtemps. Ces agents ne feront qu'endommager le matériau du produit. Vous devez rincer dès que possible à l'eau claire.
- Ne laissez pas la hotte sale trop longtemps car les particules de saleté endommageraient facilement les différentes sections de la hotte.
- Ne laissez pas de particules, notamment de construction, pénétrer dans la hotte. Lors d'un nettoyage de masse ou d'une rénovation, veillez à couvrir correctement la hotte afin de réduire les éléments qui s'y logent.
- Les produits de nettoyage tels que l'alcool et autres agents inflammables ne doivent pas être utilisés à proximité de la cuisinière, car ils peuvent provoquer des explosions.

Dépannage

DANGER : Veuillez couper le circuit électrique ou le panneau de disjoncteurs avant de dépanner cette hotte. Le non-respect de cette consigne peut entraîner la mort ou des blessures graves en raison de l'énergie électrique en jeu.

Si votre hotte de cuisine a des problèmes et que vous avez besoin de solutions de dépannage, vous pouvez obtenir de l'aide à partir de ce qui suit. Si, après avoir essayé, vous rencontrez toujours des problèmes, vous devrez peut-être contacter un technicien pour évaluer la situation.

Problème	Solution
Ma hotte ne fonctionne pas	<ol style="list-style-type: none">1. Assurez-vous que l'alimentation et le câblage sont bien connectés.2. Vérifiez si le disjoncteur est activé ou si l'alimentation électrique est sous tension.3. Vérifiez que les câbles du panneau de commande sont correctement connectés aux tableaux.
La hotte vibre lorsque le ventilateur fonctionne.	<ol style="list-style-type: none">1. Vérifiez que la hotte est fermement fixée au mur ou à l'armoire. Si ce n'est pas le cas, vous devez la boulonner fermement à l'armoire ou au mur pour éviter les vibrations.2. Confirmez que le moteur est fermement en place et bien fixé. Si ce n'est pas le cas, vous pouvez resserrer.3. Parfois, le ventilateur peut être endommagé, vous devez donc le confirmer. S'il est endommagé, vous devrez peut-être le remplacer.
er. Les ventilateurs fonctionnent faiblement	<ol style="list-style-type: none">1. Vérifiez la taille du conduit, car la fonctionnalité effective ne sera pas possible avec une taille de conduit insuffisante.2. Si des débris ou toute autre particule sont obstrués dans le conduit, nettoyez-le. Vérifiez également que l'enceinte grillagée de la hotte reçoit une ventilation adéquate.3. Si possible, vérifiez que le clapet fonctionne correctement en ce qui concerne l'ouverture.
Le ventilateur ne fonctionne pas correctement, même si les lumières fonctionnent.	<ol style="list-style-type: none">1. Vérifiez que le ventilateur n'est pas bloqué ou qu'il ne gratte pas les surfaces du capot.2. Si le problème ne peut pas être résolu par un simple contrôle, vous devrez peut-être remplacer le moteur car il est peut-être défectueux.
Pourquoi ma hotte de ventilation fonctionne-t-elle mal ?	<ol style="list-style-type: none">1. N'oubliez pas que la distance minimale entre la zone de cuisson et l'appareil doit être de 24" ou 30" maximum. Vérifiez si cette distance est correcte.2. Veillez à ce que la gaine ne soit pas susceptible de s'ouvrir facilement au vent.3. Que vous fassiez de la cuisine lourde ou de la cuisine légère, assurez-vous que la vitesse est au taux approprié. Plus la cuisson est lourde, plus la vitesse de la hotte doit être réglée.4. Une ventilation maximale de l'air par les portes et les fenêtres peut être un problème majeur pour la hotte pendant son utilisation. Fermer les fenêtres et les portes permettra à la hotte de fonctionner beaucoup mieux.5. Comme nous l'avons indiqué, pendant le processus d'installation, tous les travaux de canalisation doivent être effectués de manière efficace pour éliminer le risque de développer des problèmes. Vous pouvez réduire la longueur des conduits ou les modifier de toute autre manière POSSIBLE pour résoudre le problème. Assurez-vous également que toutes les menuiseries sont scellées et fixées correctement.
Ma lampe ne fonctionne pas bien	<ol style="list-style-type: none">1. Si vous avez une lampe défectueuse, vérifiez si elle n'est pas desserrée et doit être resserrée.2. Si le serrage ne résout pas le problème, essayez de remplacer l'ampoule défectueuse par une nouvelle et voyez si cela résout le problème.3. Si le remplacement et/ou le resserrage ne résout pas le problème, vous devrez peut-être remplacer le système de service d'éclairage de la hotte.